



R-AS35

Scissors Lift

Parts Breakdown

ET081805-en

© MAHA Maschinenbau Haldenwang GmbH & Co. KG

Legal notice based on ISO 16016:

The reproduction, distribution and utilization of this document as well as the communication of its contents to others without explicit authorizations is prohibited. Offenders will be held liable for the payment of damages. All rights reserved in the event of the grant of a patent, utility model or design.

The contents of this edition have been checked with great care. However. Errors cannot be fully excluded. Subject to technical change without notice.

Document

Document N^o: ET081805-en
Approval Date: 16.02.2006

Manufacturer

MAHA Maschinenbau Haldenwang GmbH & Co. KG
Hoyen 20
87490 Haldenwang
Germany

Phone: +49 (0) 8374 585 0
Fax: +49 (0) 8374 585 497
Fax Parts: +49 (0) 8374 585 565
Internet: <http://www.slift.de>
E-Mail: vertrieb@slift.de
Hotline: +49 (0) 180 56242 60 for Brake Testers and Test Lanes
+49 (0) 180 56242 80 for Automotive Lifts
+49 (0) 180 56242 90 for Dynamometers and Emission Testers

Service

AutomoTec GmbH
Maybachstraße 8
87437 Kempten
Germany

Phone: +49 (0) 180 56242 50
Fax: +49 (0) 180 56242 55
Internet: <http://www.automo-tec.com>
E-Mail: service@automo-tec.com

Contents

R-AS35

- 1 Hydraulic Cylinder 4**
 - 1.1 Master Cylinder with Safety Lock 4
 - 1.2 Slave Cylinder with Safety Lock 6
 - 1.3 Master Cylinder with Wheel Alignment Lock 8
 - 1.4 Slave Cylinder with Wheel Alignment Lock 10
 - 1.5 Slave Cylinder with Double Latch 12

- 2 Runways 14**
 - 2.1 Runways without PMS 14
 - 2.2 Runways with PMS 16
 - 2.3 Cross Member 18
 - 2.4 Automatic Roll-off Protection 19
 - 2.5 Ramps 20
 - 2.6 Hydraulic Inclination 22
 - 2.7 Permanent Inclination 23
 - 2.8 Safety Strip with Inclination 24
 - 2.9 Thrust Bearing 25
 - 2.10 Floating Bearing Rail 26
 - 2.11 Automatic Synchronization 27
 - 2.12 Compensating Plates 28
 - 2.13 Movable Plate, Standard 30
 - 2.14 Movable Plate, Porsche 31

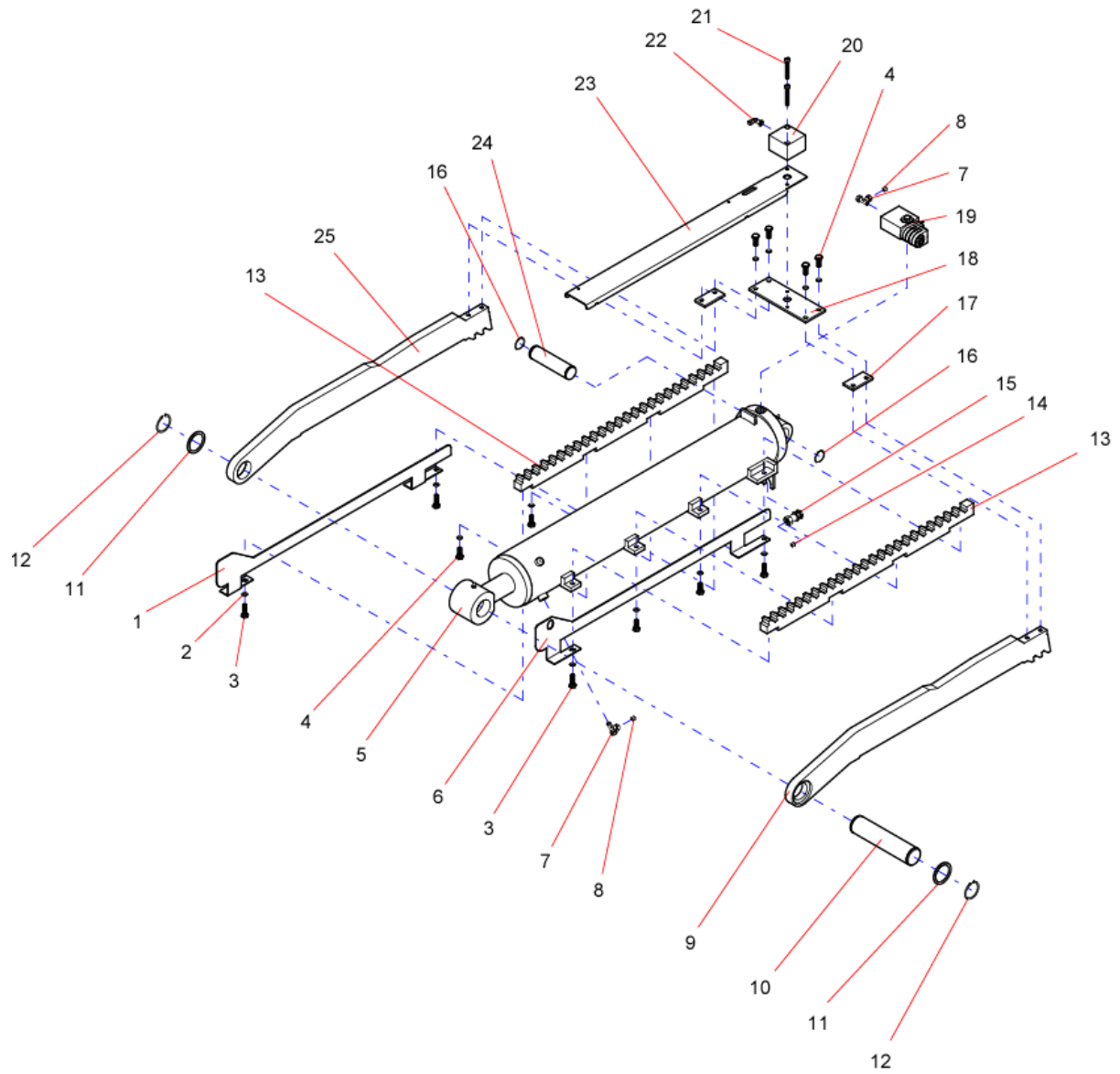
- 3 Base Plate 32**
 - 3.1 Floor Group 32
 - 3.2 Safety Bar, Surface Mounted 34
 - 3.3 Supports 35

- 4 Lifting Scissors 41**
 - 4.1 Raising Lever 41
 - 4.2 Scissors 42

- 5 Gratings and Floor Covers 43**

1 Hydraulic Cylinder

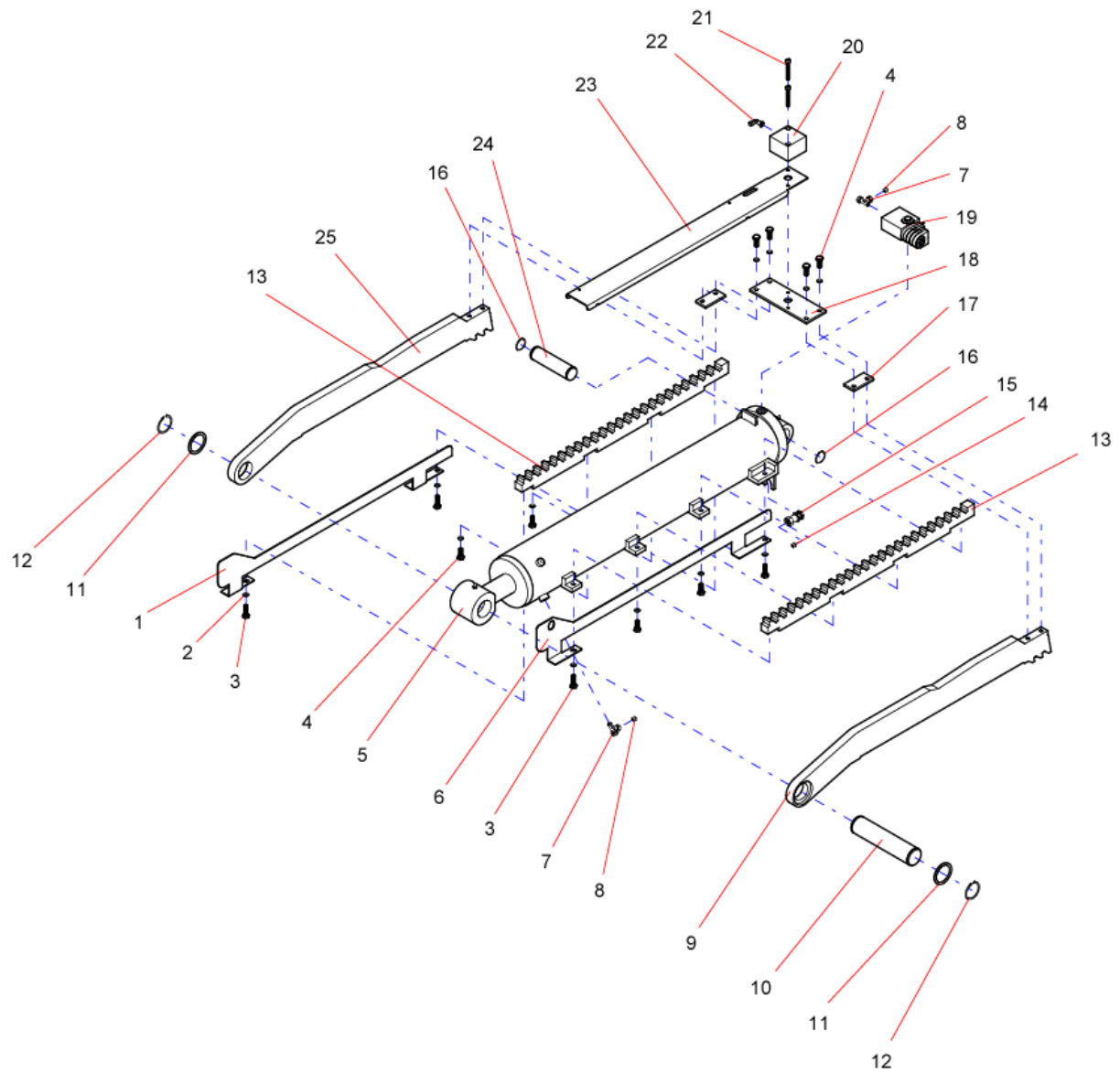
1.1 Master Cylinder with Safety Lock



ItemNo.	SparePart	ArticleNumber
1	Guide right	02 08 58130
2	Washer A8,4	22 0125 08 1
3	Hex Head Cap Screw M8x25	22 0933 08025 1
4	Hex Head Cap Screw M8x20	22 0933 08020 1
5	Master Cylinder	03 08 57023
6	Guide left	02 08 58125
7	SWV 12 LR 3/8"	27 6942
8	SWV 10 SR 3/8"	27 6747
9	Latch Arm left	02 08 58350
10	Cylinder Support top	02 08 58110
11	Adjusting Washer 40x50x2	22 0988 405020
12	Circlip A40x1,75	22 0471 040
13	Lock	02 08 58200
14	Bulkhead Stuffing Box SV 10	27 6723
15	Bulkhead Stuffing Box SV 12 L	27 6923
16	Circlip A30x1,5	22 0471 030
17	Distance	02 08 58100
18	Cylinder Bottom	02 08 58120
19	Valve	26 1385
20	Short-Stroke Cylinder 15mm	28 0040
21	Countersunk Screw M6x45	22 7991 06045 1
22	Screwed Angle KQL 06-01 S	28 9055
23	Hose Guide	02 08 58115
24	Cylinder Support bottom	02 08 17105
25	Latch Arm right	02 08 58251

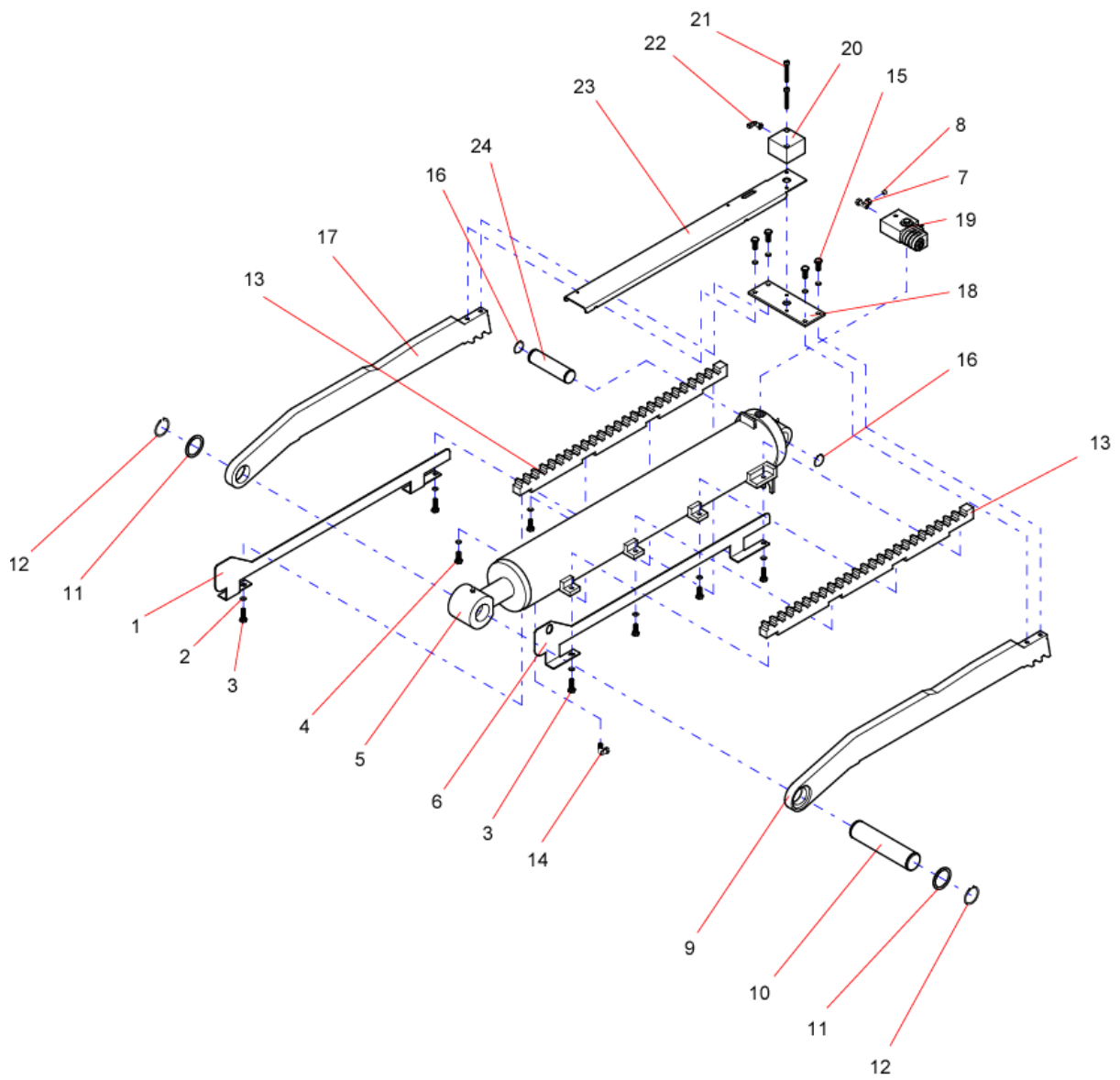
ItemNo.	SparePart	ArticleNumber
1	Guide right	02 08 58130
2	Washer A8,4	22 0125 08 1
3	Hex Head Cap Screw M8x25	22 0933 08025 1
4	Hex Head Cap Screw M8x20	22 0933 08020 1
5	Slave Cylinder	03 08 57027
6	Guide left	02 08 58125
7	SWV 12 LR 3/8"	27 6942
8	SWV 10 SR 3/8"	27 6747
9	Latch Arm left	02 08 58350
10	Cylinder Support top	02 08 58110
11	Adjusting Washer 40x50x2	22 0988 405020
12	Circlip A40x1,75	22 0471 040
13	Lock	02 08 58200
14	Screwed Angle KQL 08-01 S	28 9126
15	Hex Head Cap Screw M8x16	22 0933 08016 1
16	Circlip A30x1,5	22 0471 030
17	Latch Arm right	02 08 58251
18	Cylinder Bottom	02 08 58120
19	Valve	26 1385 1
20	Short-Stroke Cylinder 15mm	28 0040
21	Countersunk Screw M6x45	22 7991 06045 1
22	Screwed Angle KQL 06-01 S	28 9055
23	Hose Guide	02 08 58115
24	Cylinder Support bottom	02 08 17105

1.3 Master Cylinder with Wheel Alignment Lock



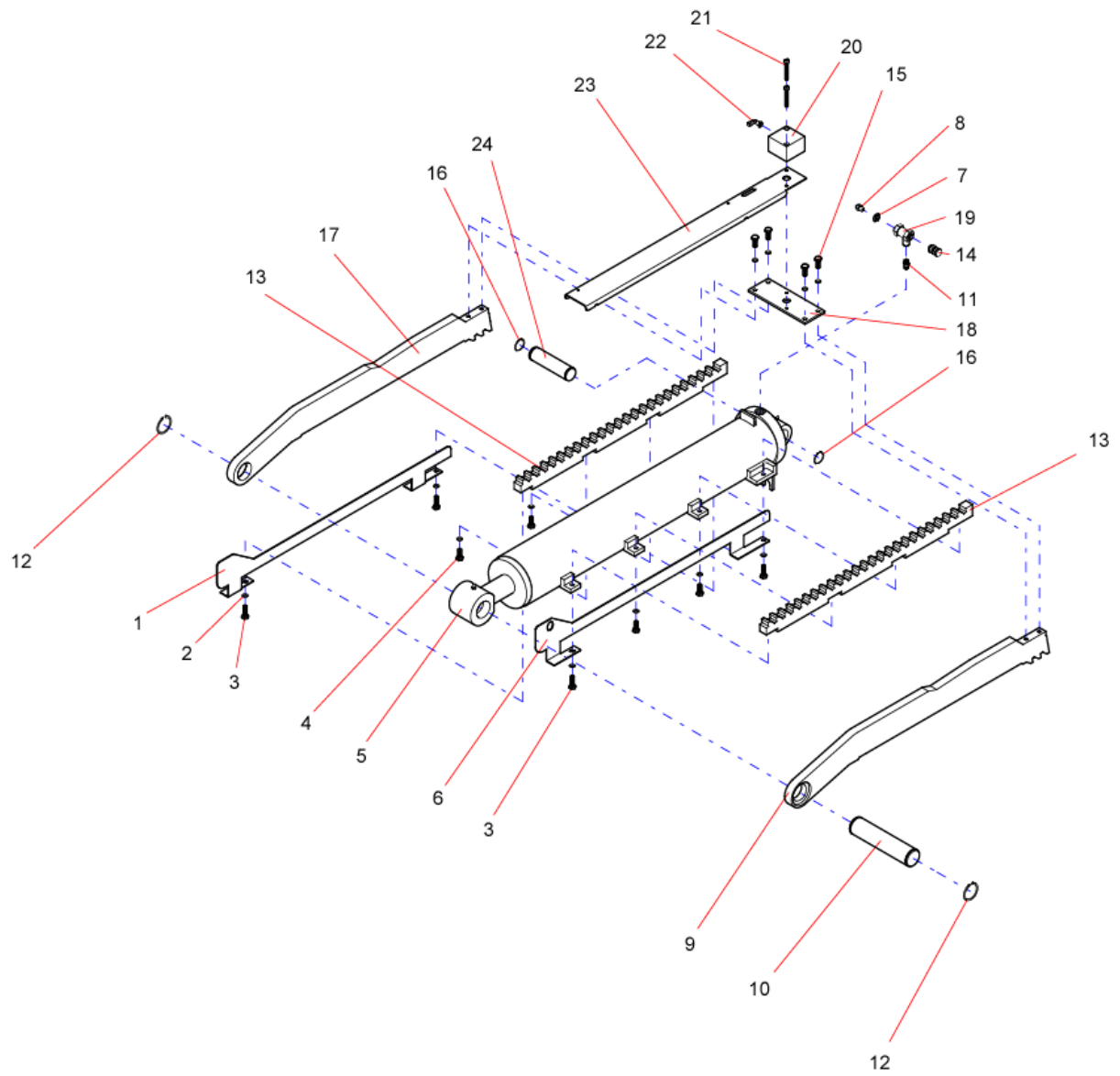
ItemNo.	SparePart	ArticleNumber
1	Guide right	02 08 58130
2	Washer A8,4	22 0125 08 1
3	Hex Head Cap Screw M8x25	22 0933 08025 1
4	Hex Head Cap Screw M8x20	22 0933 08020 1
5	Master Cylinder	03 08 57023
6	Guide left	02 08 58125
7	SWV 12 LR 3/8"	27 6942
8	SWV 10 SR 3/8"	27 6747
9	Latch Arm left Milled	02 08 58250
10	Cylinder Support top	02 08 58110
11	Adjusting Washer 40x50x2	22 0988 405020
12	Circlip A40x1,75	22 0471 040
13	Lock Milled	02 08 58210
14	Bulkhead Stuffing Box SV 10	27 6723
15	Bulkhead Stuffing Box SV 12 L	27 6923
16	Circlip A30x1,5	22 0471 030
17	Distance	02 08 58100
18	Cylinder Bottom	02 08 58120
19	Valve	26 1385
20	Short-Stroke Cylinder 15mm	28 0040
21	Countersunk Screw M6x45	22 7991 06045 1
22	Screwed Angle KQL 06-01 S	28 9055
23	Hose Guide	02 08 58115
24	Cylinder Support bottom	02 08 17105
25	Latch Arm right Milled	02 08 58260

1.4 Slave Cylinder with Wheel Alignment Lock



ItemNo.	SparePart	ArticleNumber
1	Guide right	02 08 58130
2	Washer A8,4	22 0125 08 1
3	Hex Head Cap Screw M8x25	22 0933 08025 1
4	Hex Head Cap Screw M8x20	22 0933 08020 1
5	Slave Cylinder	03 08 57027
6	Guide left	02 08 58125
7	SWV 12 LR 3/8"	27 6942
8	SWV 10 SR 3/8"	27 6747
9	Latch Arm left Milled	02 08 58250
10	Cylinder Support top	02 08 58110
11	Adjusting Washer 40x50x2	22 0988 405020
12	Circlip A40x1,75	22 0471 040
13	Lock Milled	02 08 58210
14	Screwed Angle KQL 08-01 S	28 9126
15	Hex Head Cap Screw M8x16	22 0933 08016 1
16	Circlip A30x1,5	22 0471 030
17	Latch Arm right Milled	02 08 58260
18	Cylinder Bottom	02 08 58120
19	Valve	26 1385 1
20	Short-Stroke Cylinder 15mm	28 0040
21	Countersunk Screw M6x45	22 7991 06045 1
22	Screwed Angle KQL 06-01 S	28 9055
23	Hose Guide	02 08 58115
24	Cylinder Support bottom	02 08 17105

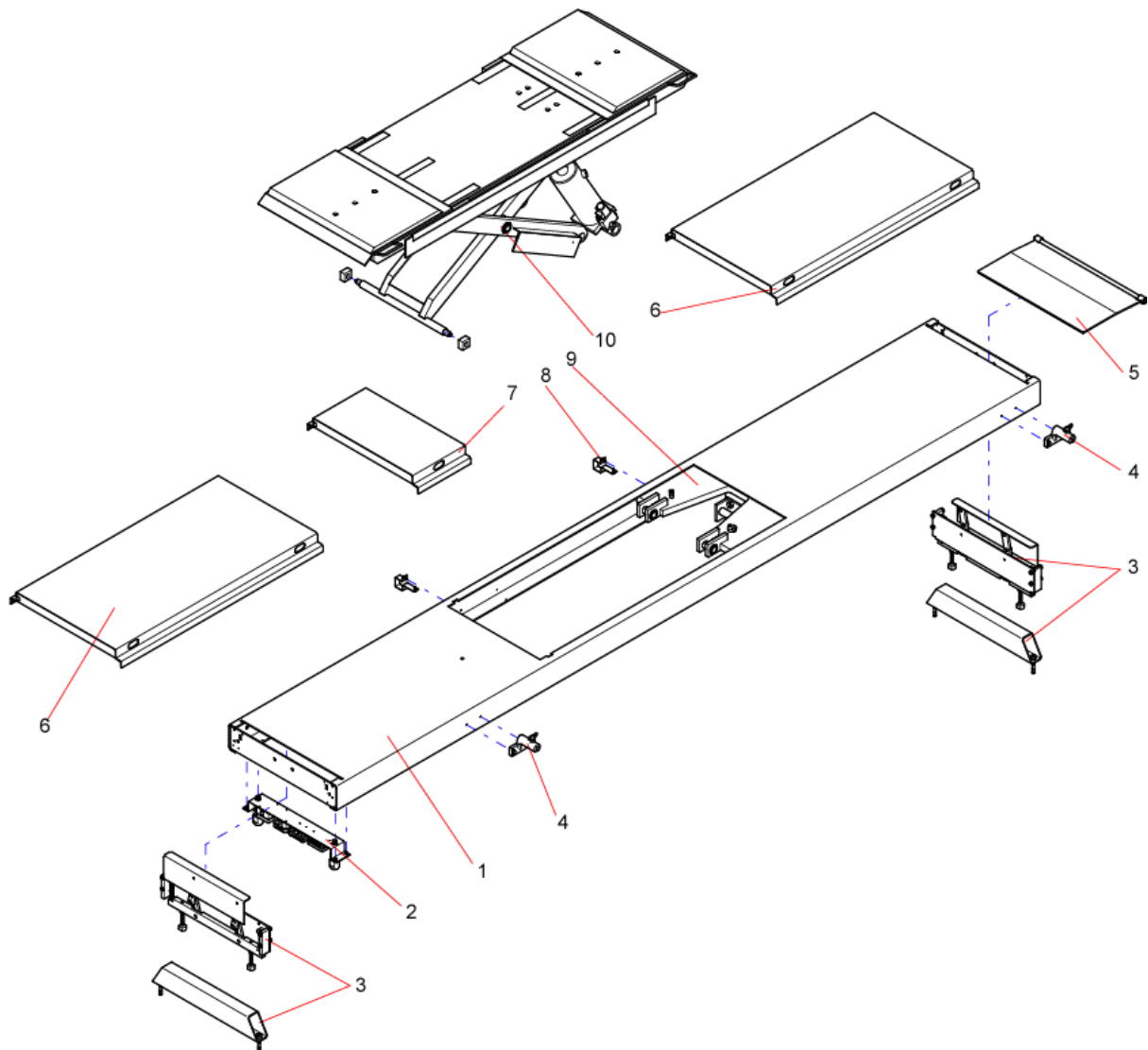
1.5 Slave Cylinder with Double Latch



ItemNo.	SparePart	ArticleNumber
1	Guide right	02 08 58130
2	Washer A8,4	22 0125 08 1
3	Hex Head Cap Screw M8x25	22 0933 08025 1
4	Hex Head Cap Screw M8x20	22 0933 08020 1
5	Slave Cylinder	03 08 57027
6	Guide left	02 08 58125
7	Sealing Washer 3/8"	28 6505
8	Straight fitting 3/8"	28 8028 0606
9	Latch Arm left Milled	02 08 58250
10	Cylinder Support top	02 08 58110
11	Shim Ring 40x50x2	22 0988 405020
12	Circlip A40x1,75	22 0471 040
13	Lock Milled	02 08 58210
14	Silencer R3/8"	28 8165 0600
15	Hex Head Cap Screw M8x16	22 0933 08016 1
16	Circlip A30x1,75	22 0471 030
17	Latch Arm right Milled	02 08 58260
18	Cylinder Bottom	02 08 58120
19	Rapid Bleeder Valve 3/8"	28 5802
20	Short-Stroke Cylinder 15mm	28 0040
21	Countersunk Screw M6x45	22 7991 06045 1
22	Silencer R3/8"	28 9055
23	Hose Guide	02 08 58115
24	Cylinder Support bottom	02 08 17105

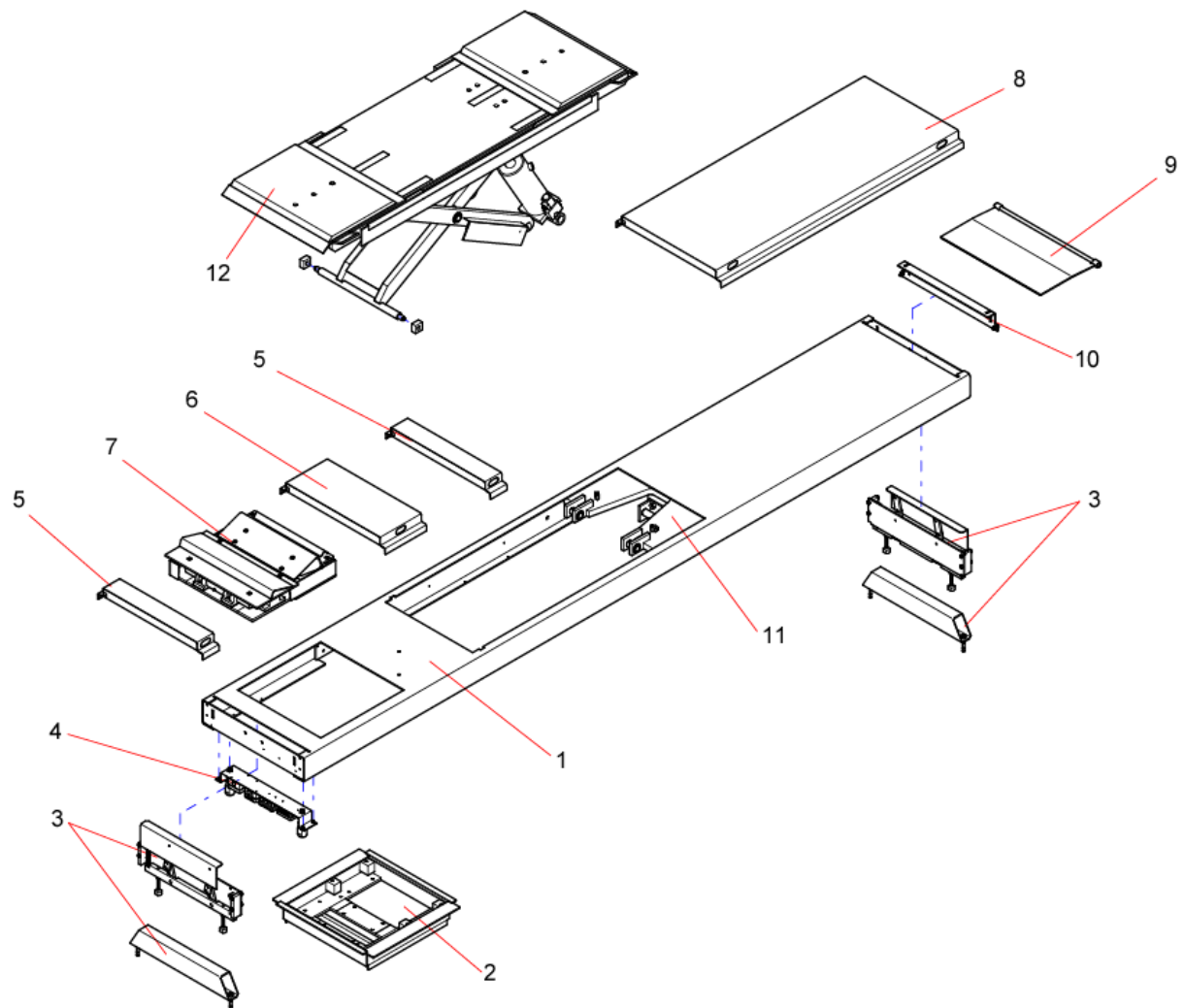
2 Runways

2.1 Runways without PMS



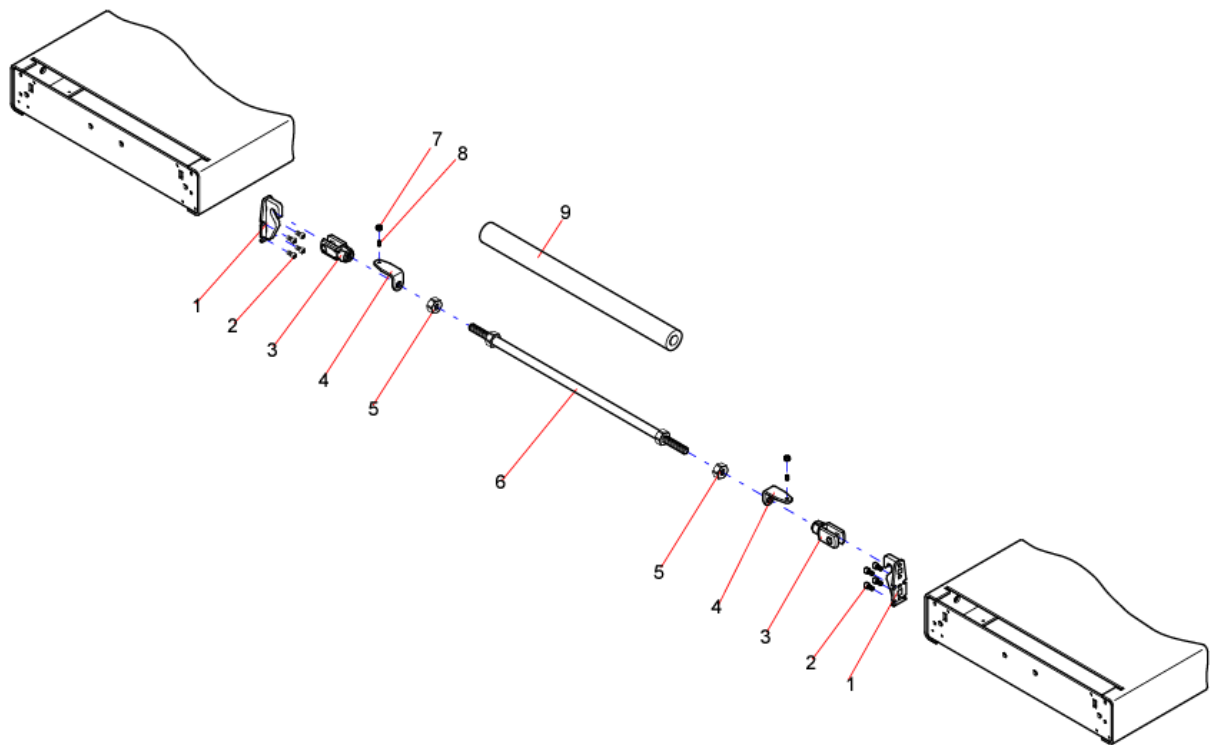
ItemNo.	SparePart	ArticleNumber
1	Components Runway 4,0m left	03 08 20065
	Components Runway 4,0m right	03 08 20015
	Components Runway 4,4m left	03 08 70075
	Components Runway 4,4m right	03 08 70025
	Components Runway 4,8m left	03 08 72805
	Components Runway 4,8m right	03 08 72800
2	Terminal Board	030080 45000200
3	Automatic Roll-off Protection	06 08 87000
4	Precision measuring probe holder 4,0m left	03 08 91510
	Precision measuring probe holder 4,0m right	03 08 91510
	Precision measuring probe holder 4,4m left	030080 37000600
	Precision measuring probe holder 4,4m right	030080 37000100
	Precision measuring probe holder 4,8m left	03 08 91510
	Precision measuring probe holder 4,8m right	03 08 91510
5	Approach Flap	03 08 24225
6	Compensating Plate 1100mm	03 08 25896
	Compensating Plate 1200mm	03 08 25905
7	Compensating Plate 300mm	03 08 25861
	Compensating Plate 400mm	03 08 25871
	Compensating Plate 500mm	03 08 25891
8	Hose Guide Axle Jack	03 08 20001
	Installation Inclination right	03 08 29100
9	Wheel-Free Jack Installation 4,0m left	03 08 20251
	Wheel-Free Jack Installation 4,0m right	03 08 20251
	Wheel-Free Jack Installation 4,4m left	03 08 70251
	Wheel-Free Jack Installation 4,4m right	03 08 70251
	Wheel-Free Jack Installation 4,8m left	03 08 70251
	Wheel-Free Jack Installation 4,8m right	03 08 70251
10	Wheel-Free Jack 4	ETZ0005

2.2 Runways with PMS



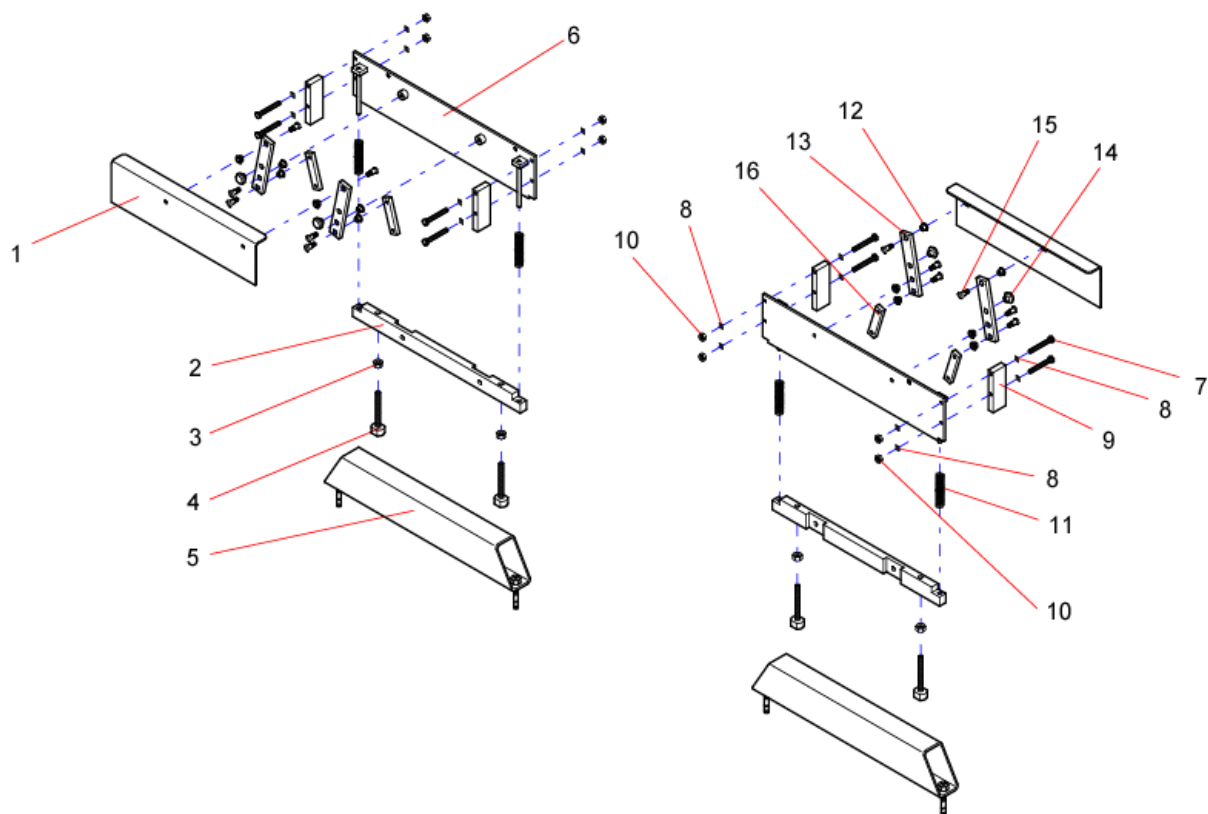
ItemNo.	SparePart	ArticleNumber
1	Components Runway 4,0m left	03 08 20075
	Components Runway 4,0m right	03 08 20070
	Components Runway 4,4m left	03 08 70358
	Components Runway 4,4m right	03 08 20070
	Components Runway 4,8m left	03 08 70308
	Components Runway 4,8m right	03 08 70363
2	PMS 3X/XLP Installation front left horizontal	03 01 2900
	PMS 3X/XLP Installation front right horizontal	03 01 2900
	PMS 3X/XLP Installation front left horizontal	03 01 2910
	PMS 3X/XLP Installation front right horizontal	03 01 2910
3	Automatic Roll-off Protection	06 08 87000
4	Terminal Board	03 08 79 362
5	Compensating Plate 100mm	03 08 25810
6	Compensating Plate 250mm	03 08 25840
	Compensating Plate 350mm	03 08 25865
	Compensating Plate 400mm	03 08 25870
7	PMS with Hinged Cover (Pneumatic)	ETZ0007
	PMS 3/X	ETZ0008
	PMS, One-Piece, Lift Installation	ETZ0009
8	Compensating Plate 1460mm	03 08 25920
9	Approach Flap	03 08 24227
10	Holder, Approach Flap	03 08 20020
11	Wheel-Free Jack Installation left	05 08 31001
	Wheel-Free Jack Installation right	05 08 31001
12	Wheel-Free Jack 6	ETZ0006

2.3 Cross Member



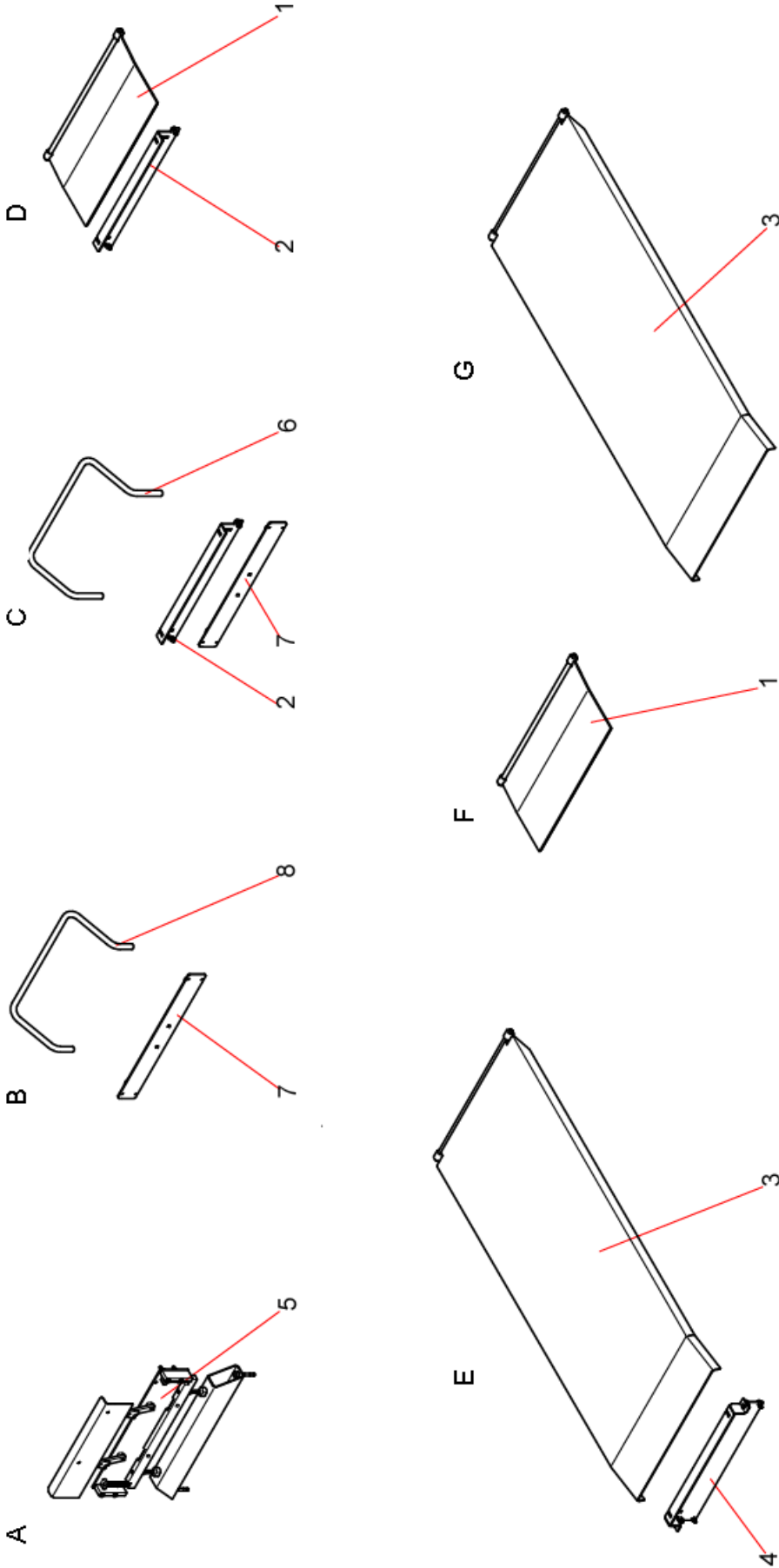
ItemNo.	SparePart	ArticleNumber
1	Guide without Compensating Plates	03 08 22221
	Guide with Compensating Plates	03 08 22231
2	Allen Screw M8x16	22 0912 08016 1
3	Flexible Piece	22 71751 1632
4	Support	02 08 24292
5	Hex Nut M16	22 094 16 1
6	Rod	03 08 22255
	Rod DC	03 08 22265
7	Hex Nut M6	22 0934 06 1
8	Ball Stud M6x12,8	23 1490 06
9	Insulating Shell 609,6mm	02 08 24058
	Insulating Shell 730mm	02 08 24059

2.4 Automatic Roll-off Protection



ItemNo.	SparePart	ArticleNumber
1	Roll-off Protection without Compensating Plates	03 08 87800
	Roll-off Protection with Compensating Plates	03 08 87850
2	Guide	02 08 87530
3	Hex Nut M10	22 0934 10 1
4	Dowel Pin	31 6204 1
5	Support, Lift Height 285mm	03 08 87560
	Support, Lift Height 225mm	03 08 87855
6	Base Support	03 08 87600
	Base Support Compensating Plates	03 08 87700
7	Hex Head Cap Screw M8x65	22 0933 08065 1
8	Washer A8,4	22 0125 08 1
9	Distance	02 08 87000
10	Hex Nut M8	22 0934 08 1
11	Pressure Spring 2,5x16x130	23 9225 016 130
12	Plain Bearing GLY.PBG 101209	24 1710 2
13	Reversing Lever 155lg.	02 08 87510
14	Slider Block	02 08 87540
15	Oval Head Screw M8x12/10	22 0923 08012
16	Reversing Lever 90lg.	02 08 87520

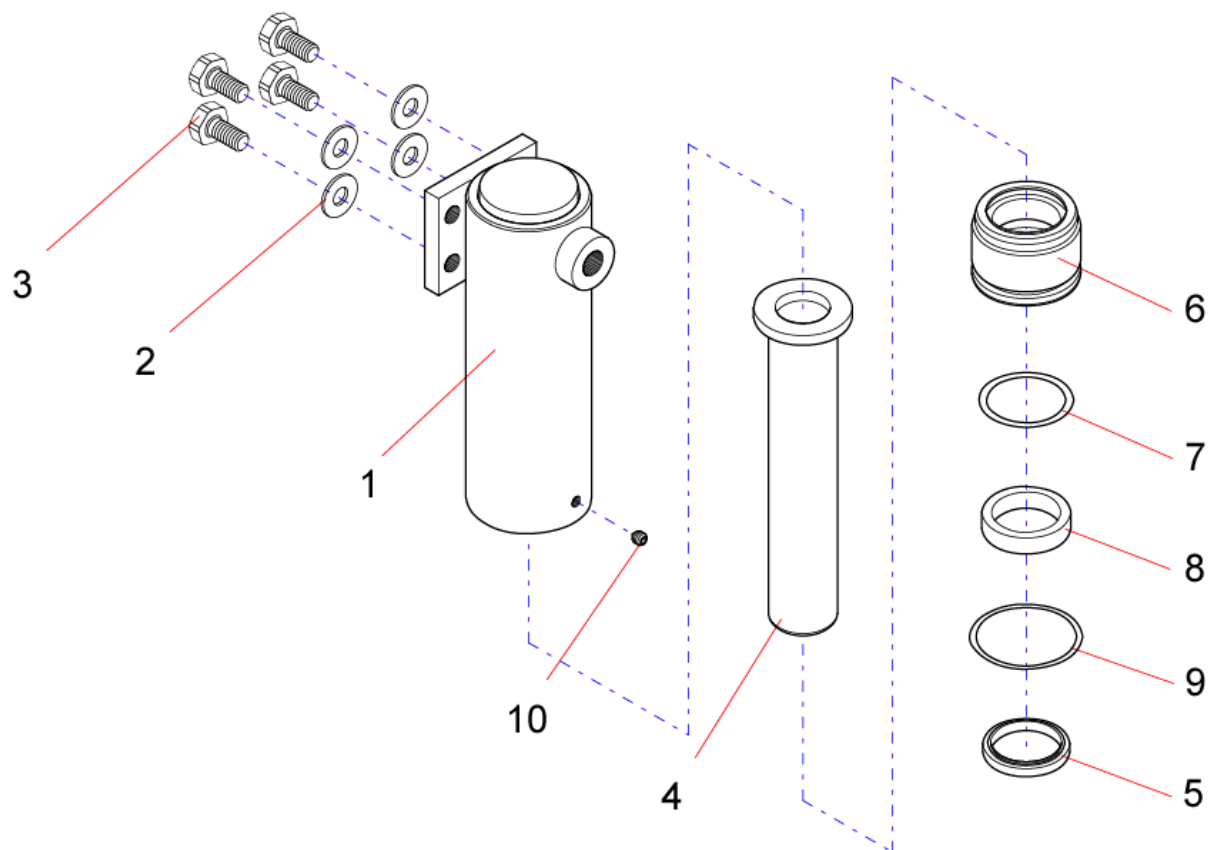
2.5 Ramps



ItemNo.	SparePart	ArticleNumber
1	Approach Flap	03 08 24225
2	Holder, Approach Flap	03 08 20020
3	Approach Flap Long	03 08 24008
4	Ramp Holder, Superstructure	03 08 20030
5	Automatic Roll-off Protection	06 08 87000
6	Roll-off Protection with Compensating Plate	02 08 21940
7	Adapter Plate, Roll-off Protection	03 08 20420
8	Roll-off Protection without Compensating Plate	02 08 21935

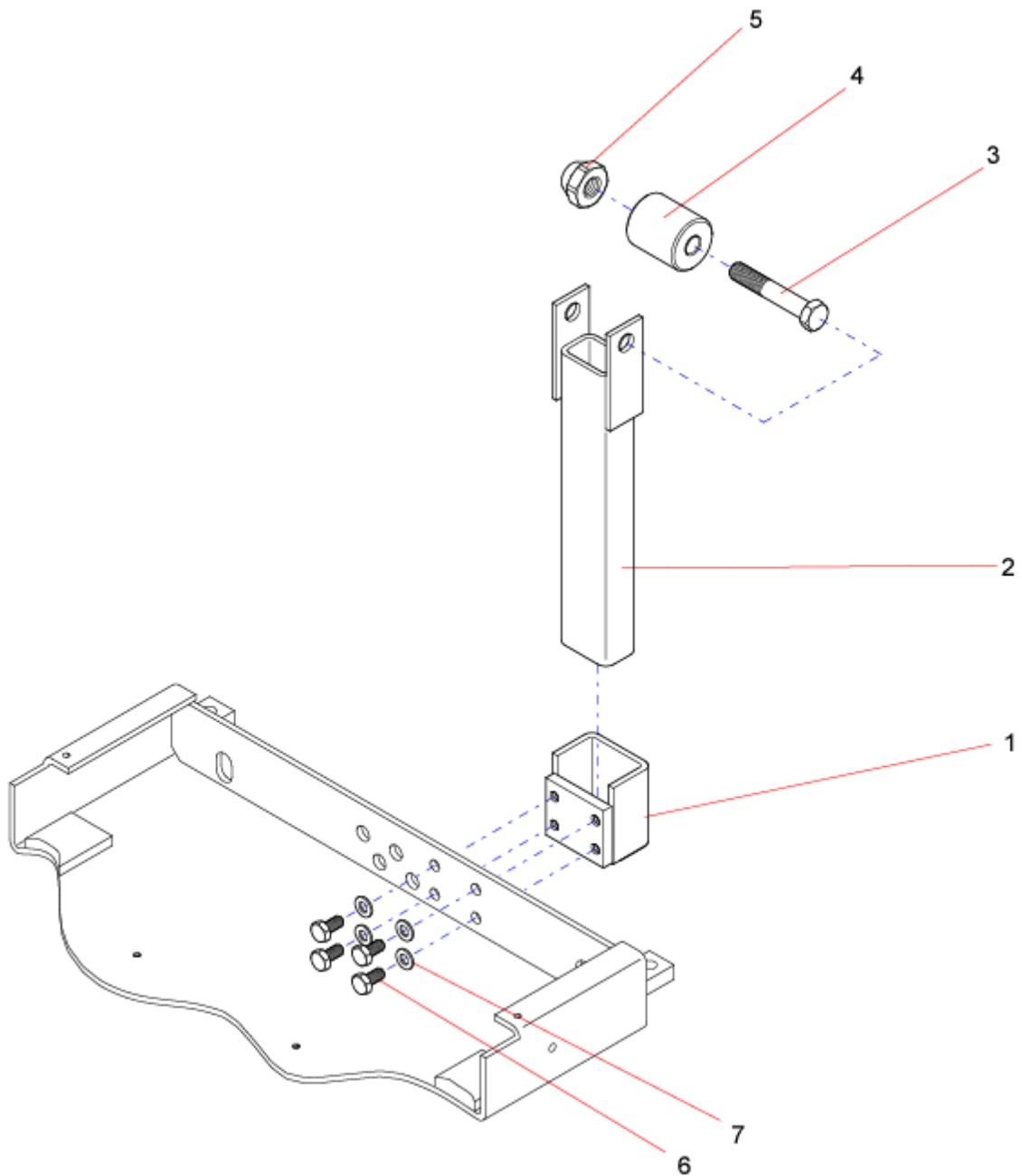
ItemNo.	SparePart
A	Automatic Roll-off Protection
B	Roll-off Protection for Runways w/o Compensating Plates
C	Roll-off Protection for Runways with Compensating Plates
D	Approach Flap for Runways with Compensating Plates
E	Approach Flap (long) for Runways with Compensating Plates
F	Approach Flap for Runways w/o Compensating Plates
G	Approach Flap (long) for Runways w/o Compensating Plates

2.6 Hydraulic Inclination



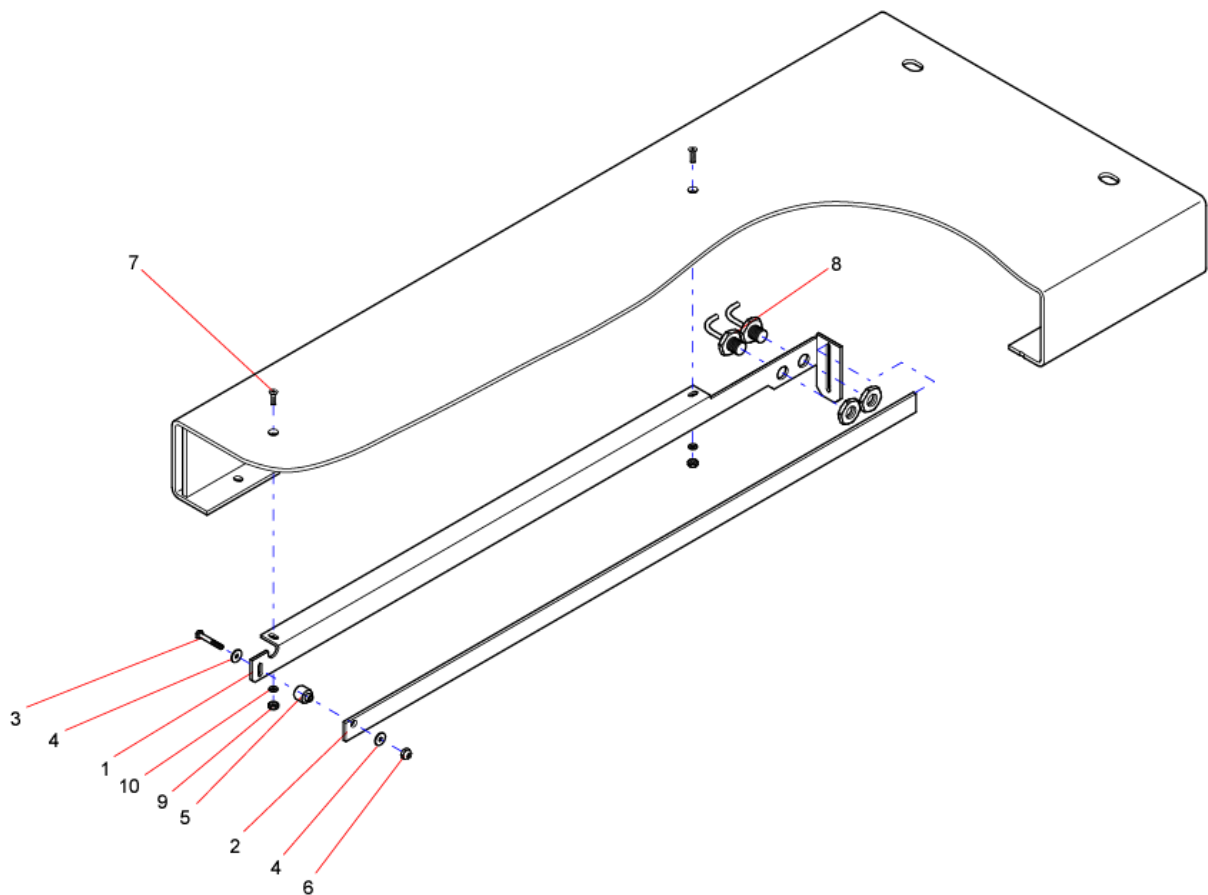
ItemNo.	SparePart	ArticleNumber
1	Cylinder Tube, Inclined Position	03 08 52105
2	Washer A10,5	22 0125 10 1
3	Hex Head Cap Screw M10x20	22 0933 10020 1
4	Piston Rod	03 08 52110
5	Scraper Ring A1 35x43x7	27 3035
6	Cylinder Head	02 08 52050
7	O-Ring 48x4 90 Shore	27 2048 040 90
8	Rod Packing B3 35x45x7	27 4035 2
9	Spring Washer 3x57	23 9330 057
10	Threaded Pin M6x8	22 0914 06008

2.7 Permanent Inclination



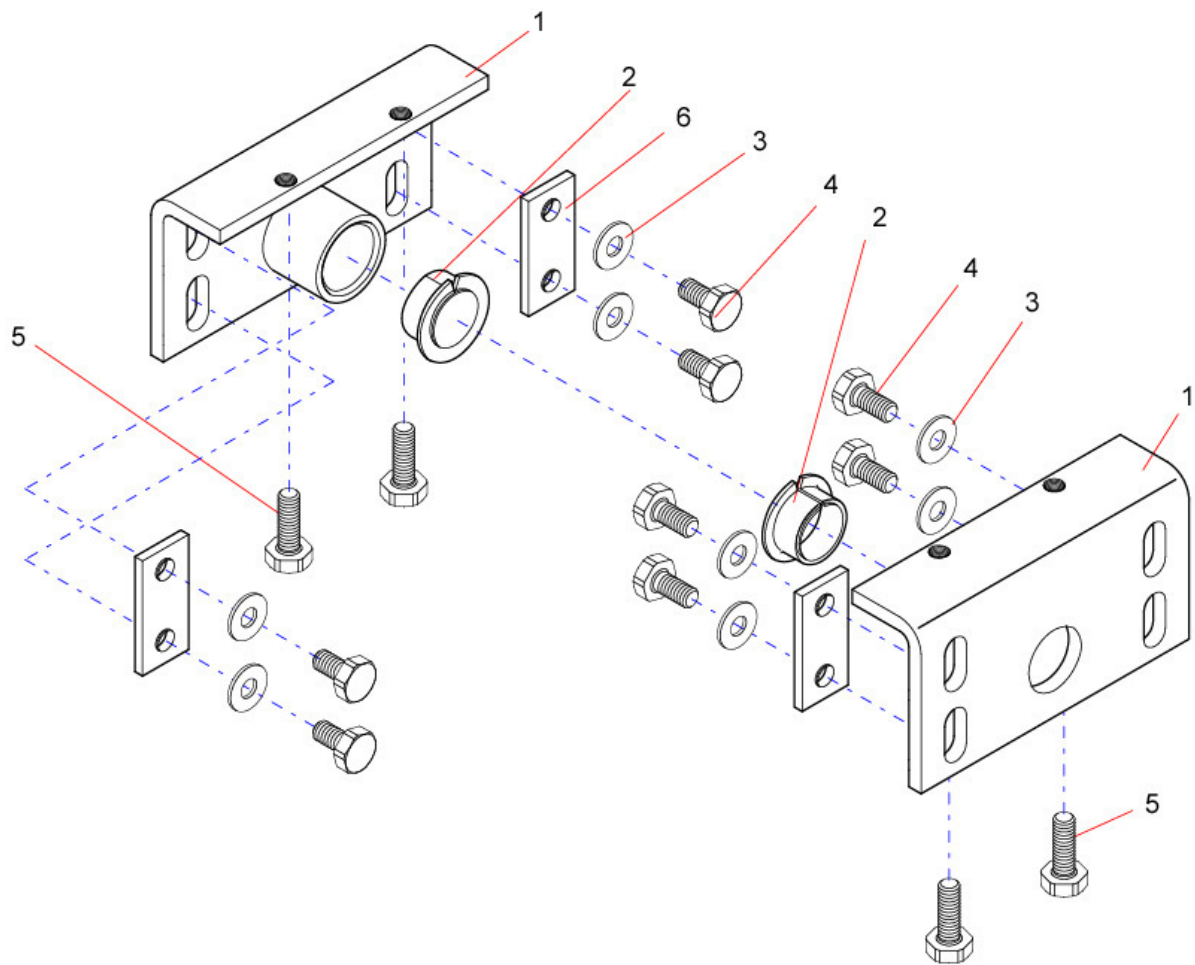
ItemNo.	SparePart	ArticleNumber
1	Holder	03 08 06030
2	Support	03 08 06016
3	Hex Head Cap Screw M16x90	22 0931 16090 1
4	Roller	02 08 06100
5	Hex Nut, Self-Locking M16	22 0985 16 1
6	Hex Head Cap Screw M10x20	22 0933 10020 1
7	Washer A10,5	22 0125 10 1

2.8 Safety Strip with Inclination



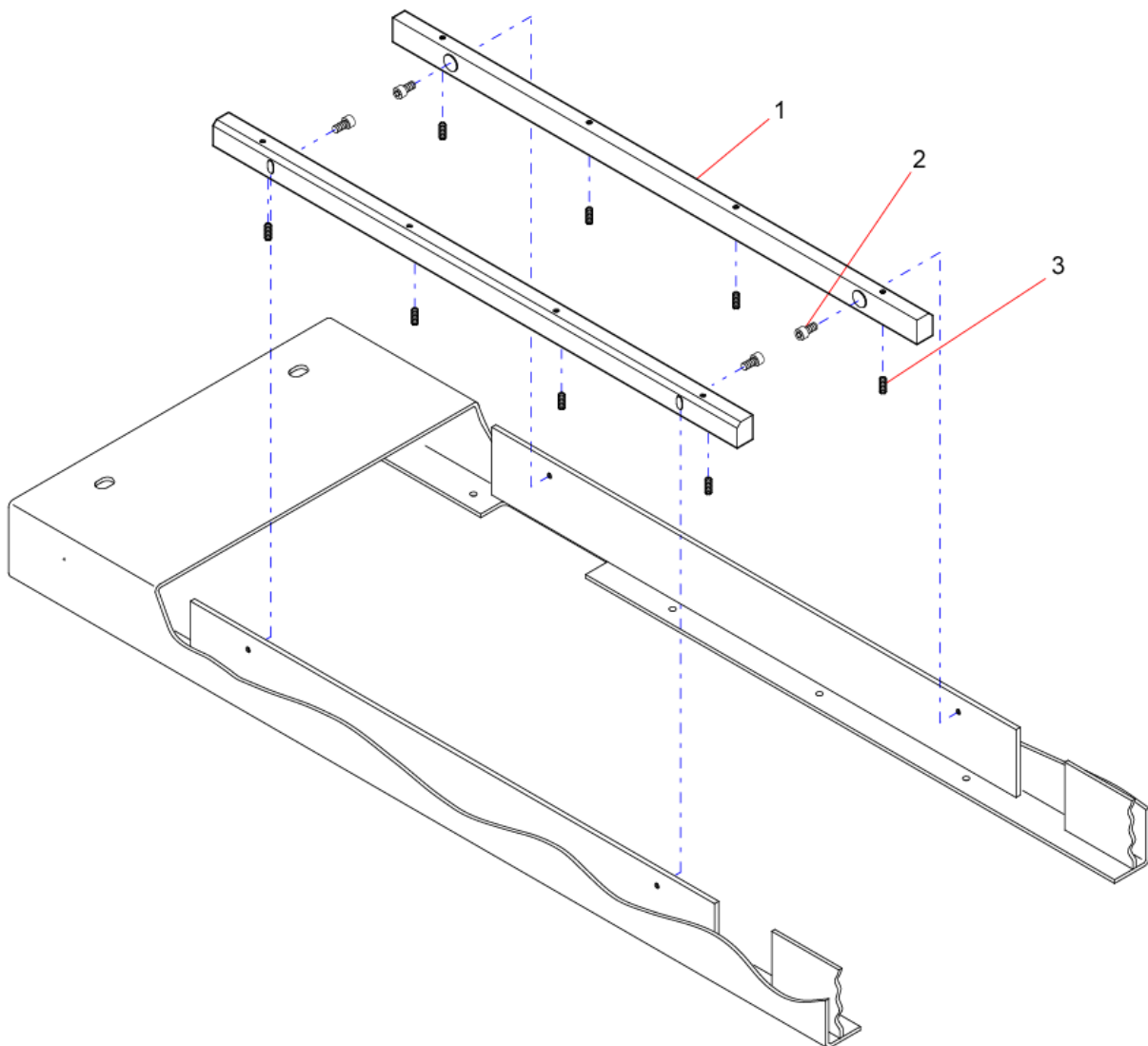
ItemNo.	SparePart	ArticleNumber
1	Holder	02 08 29105
2	Switch Strip	02 08 29100
3	Hex Head Cap Screw M6x40	22 0931 06040 1
4	Washer A6.4	22 9021 06 1
5	Sleeve	02 08 29110
6	Hex Nut, Self-Locking M6	22 0985 06 1
7	Countersunk Screw M6x20	22 7991 06020 1
	Countersunk Screw M6x30	22 7991 06030 1
8	Proximity Switch M18	51 3008
9	Hex Nut M6	22 0934 06 1
10	Washer A6.4	22 0125 06 1

2.9 Thrust Bearing



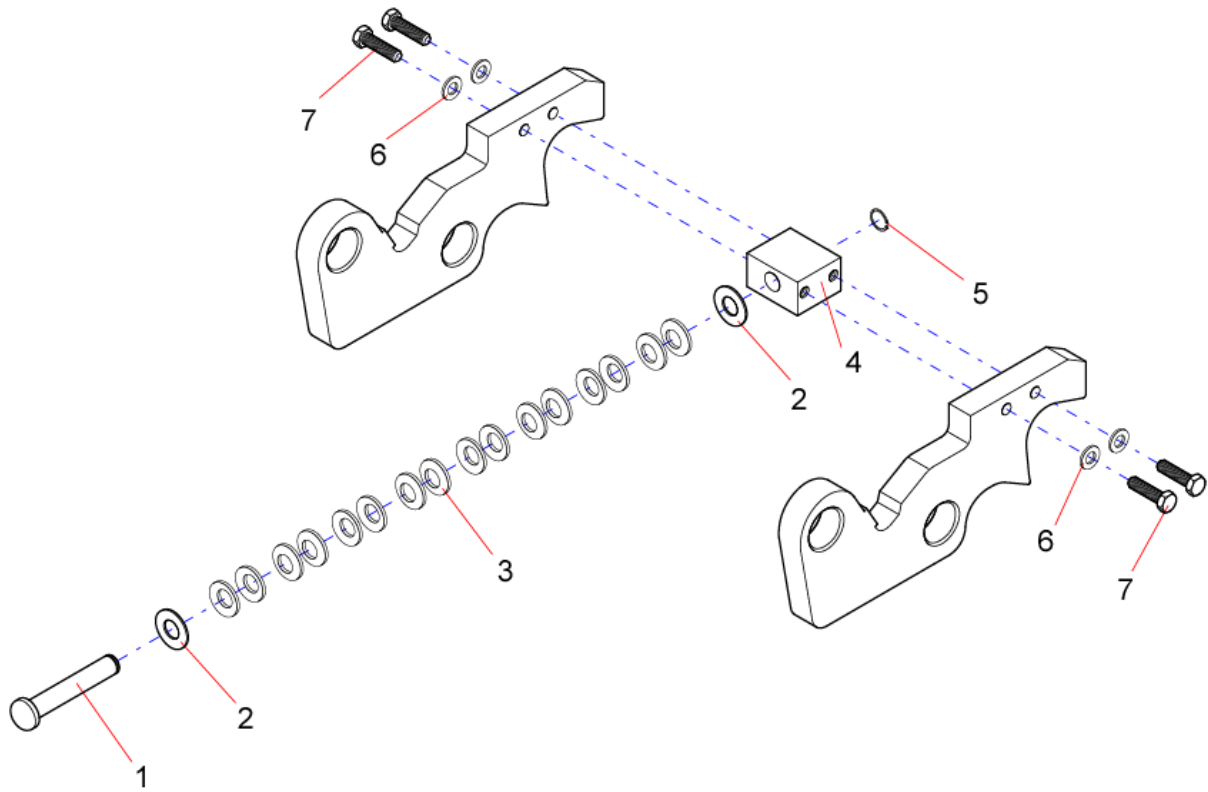
ItemNo.	SparePart	ArticleNumber
1	Thrust Bearing	03 08 23550
2	Plain Bearing	24 1732 1
3	Washer A10.5	22 0125 10 1
4	Hex Head Cap Screw M10x25	22 0933 10025 1
5	Hex Head Cap Screw M10x30	22 0933 10030 1
6	Washer	02 08 20570

2.10 Floating Bearing Rail



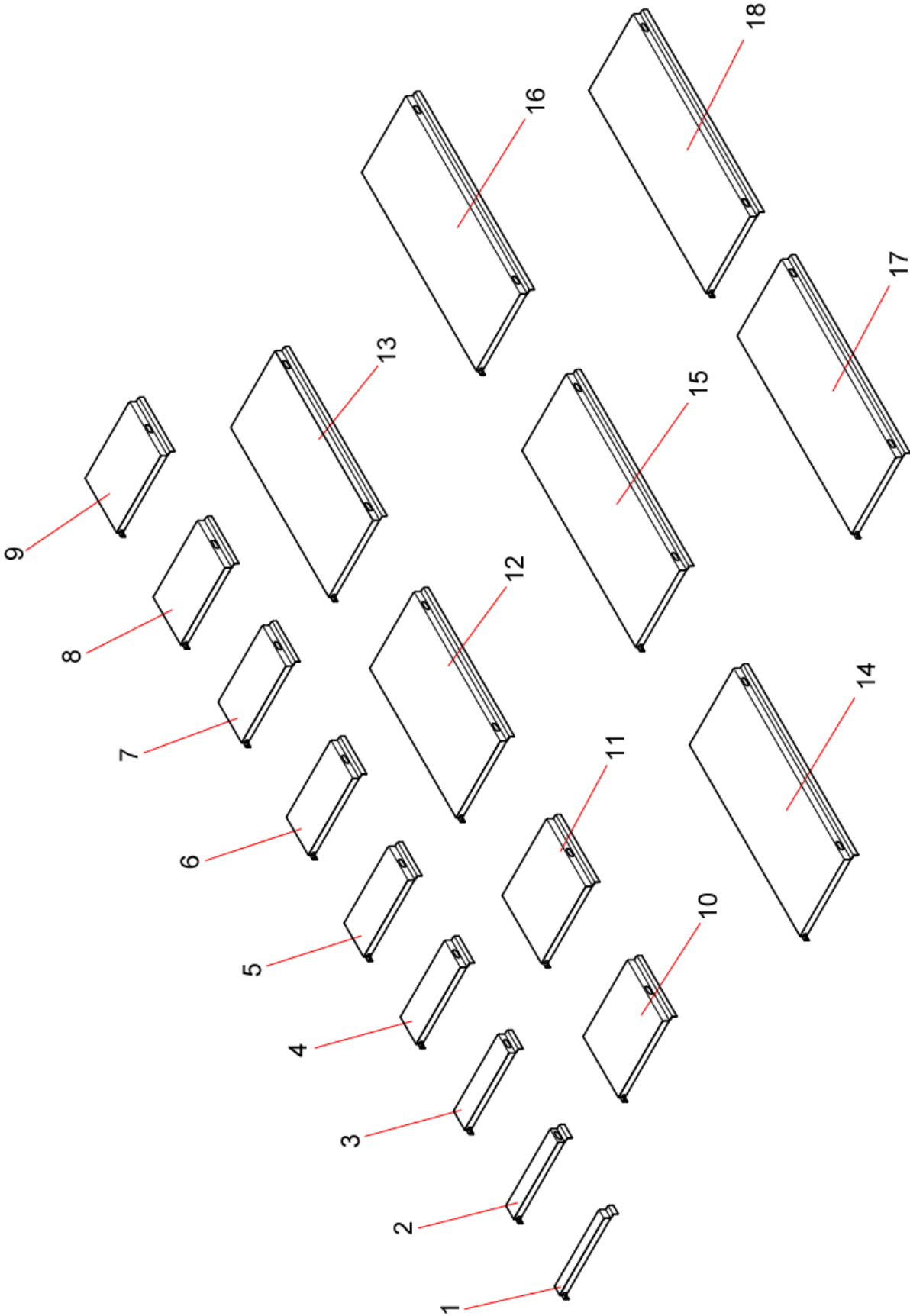
ItemNo.	SparePart	ArticleNumber
1	Rail	02 08 20206
	Rail PMS	02 08 20205
2	Allen Screw M10x20	22 0912 10020 1
3	Threaded Pin M8x25	22 0913 08025

2.11 Automatic Synchronization



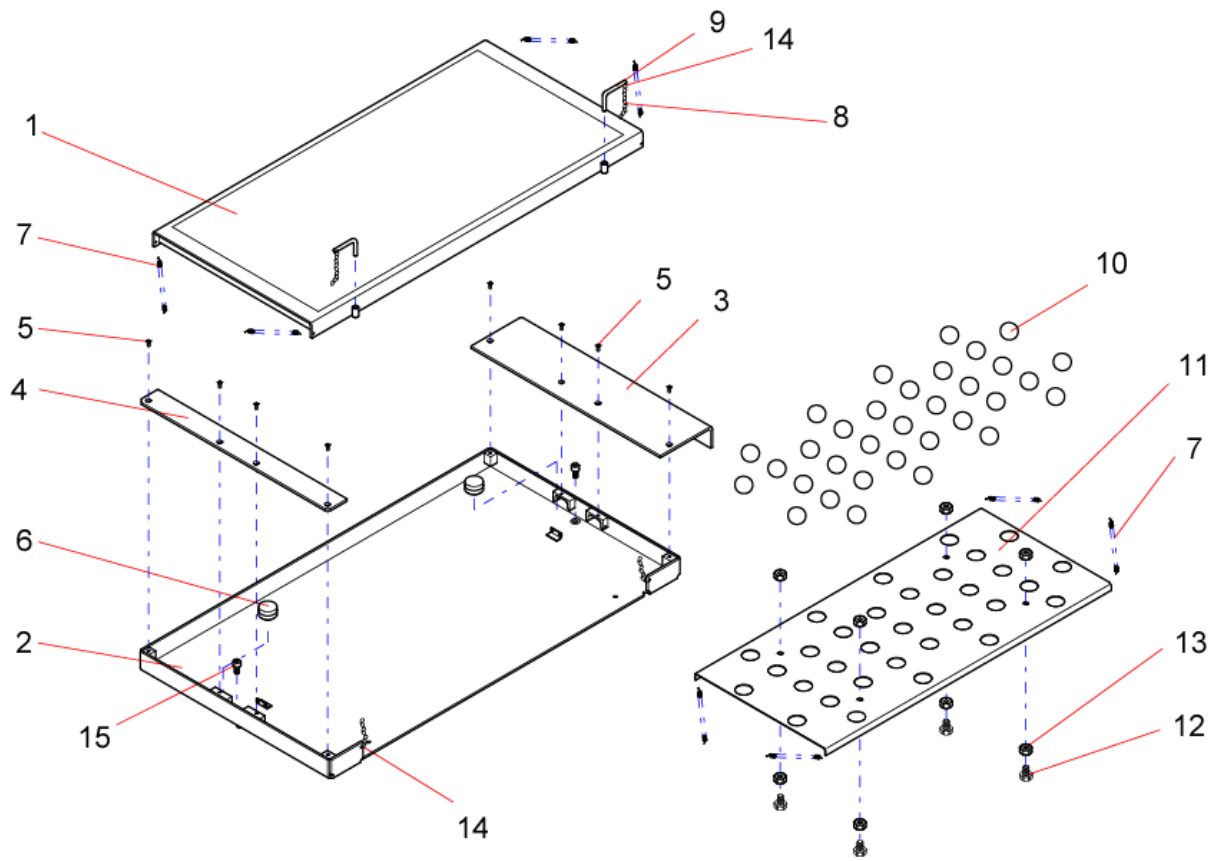
ItemNo.	SparePart	ArticleNumber
1	Stop	02 08 56135
2	Ring	02 08 56140
3	Disk Spring 40/20,4/2,5	22 2093 4020425
4	Holder	02 08 56130
5	Circlip A20x1,2	22 0471 020
6	Washer A13	22 0125 12 1
7	Hex Head Cap Screw M12x45	22 0933 12045 1

2.12 Compensating Plates



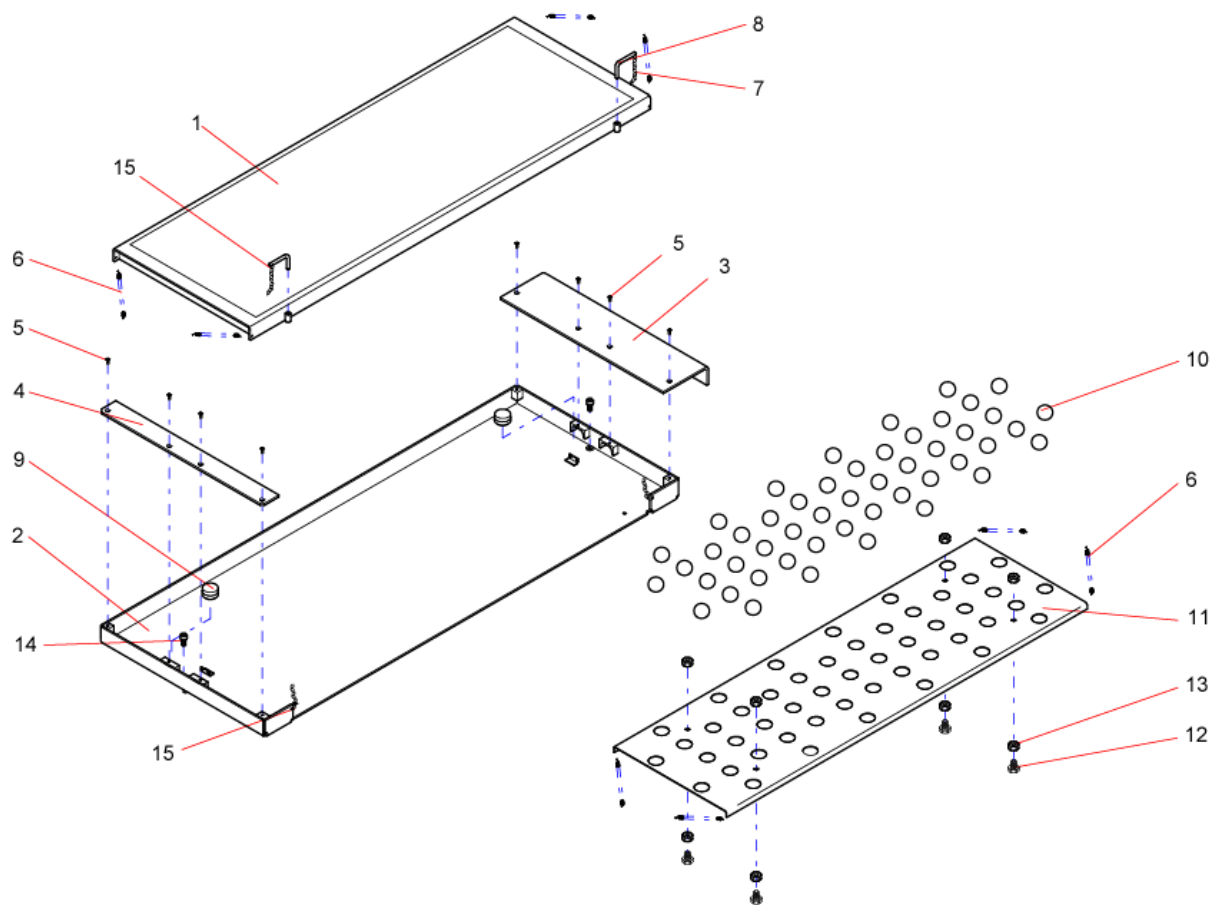
ItemNo.	SparePart	ArticleNumber
1	Compensating Plate 65mm	03 08 25800
2	Compensating Plate 100mm	03 08 25811
3	Compensating Plate 140mm	03 08 25821
4	Compensating Plate 200mm	03 08 25831
5	Compensating Plate 250mm	03 08 25841
6	Compensating Plate 280mm	03 08 25851
7	Compensating Plate 300mm	03 08 25861
8	Compensating Plate 350mm	03 08 25866
9	Compensating Plate 400mm	03 08 25871
10	Compensating Plate 450mm	03 08 25881
11	Compensating Plate 500mm	03 08 25891
12	Compensating Plate 1100mm	03 08 25896
13	Compensating Plate 1150mm	03 08 25901
14	Compensating Plate 1200mm	03 08 25905
15	Compensating Plate 1250mm	03 08 25910
16	Compensating Plate 1445mm	03 08 25916
17	Compensating Plate 1460mm	03 08 25921
18	Compensating Plate 1490mm	03 08 25925

2.13 Movable Plate, Standard



ItemNo.	SparePart	ArticleNumber
1	Upper Part	03 08 81200
2	Lower Part	02 08 81030
3	Adapter Plate long	02 08 81805
	Adapter Plate	02 08 81807
4	Adapter Plate short	02 08 81800
5	Countersunk Screw M6x12	22 7991 06012 1
6	Roller	02 08 81027
7	Tension Spring 1x10x110	23 9110 010 110
8	Chain $\varnothing 1,6$	03 08 81010
9	Locking Pin	02 08 81035
10	Phenolic Resin Ball	31 7038
11	Ball Cage	02 08 81100
12	Hex Head Cap Screw M12x20	22 0933 12020 K
13	Hex Nut M12	22 0934 12 K
14	Key Ring	19 4990
15	Allen Screw M10x20	22 0912 10020 1

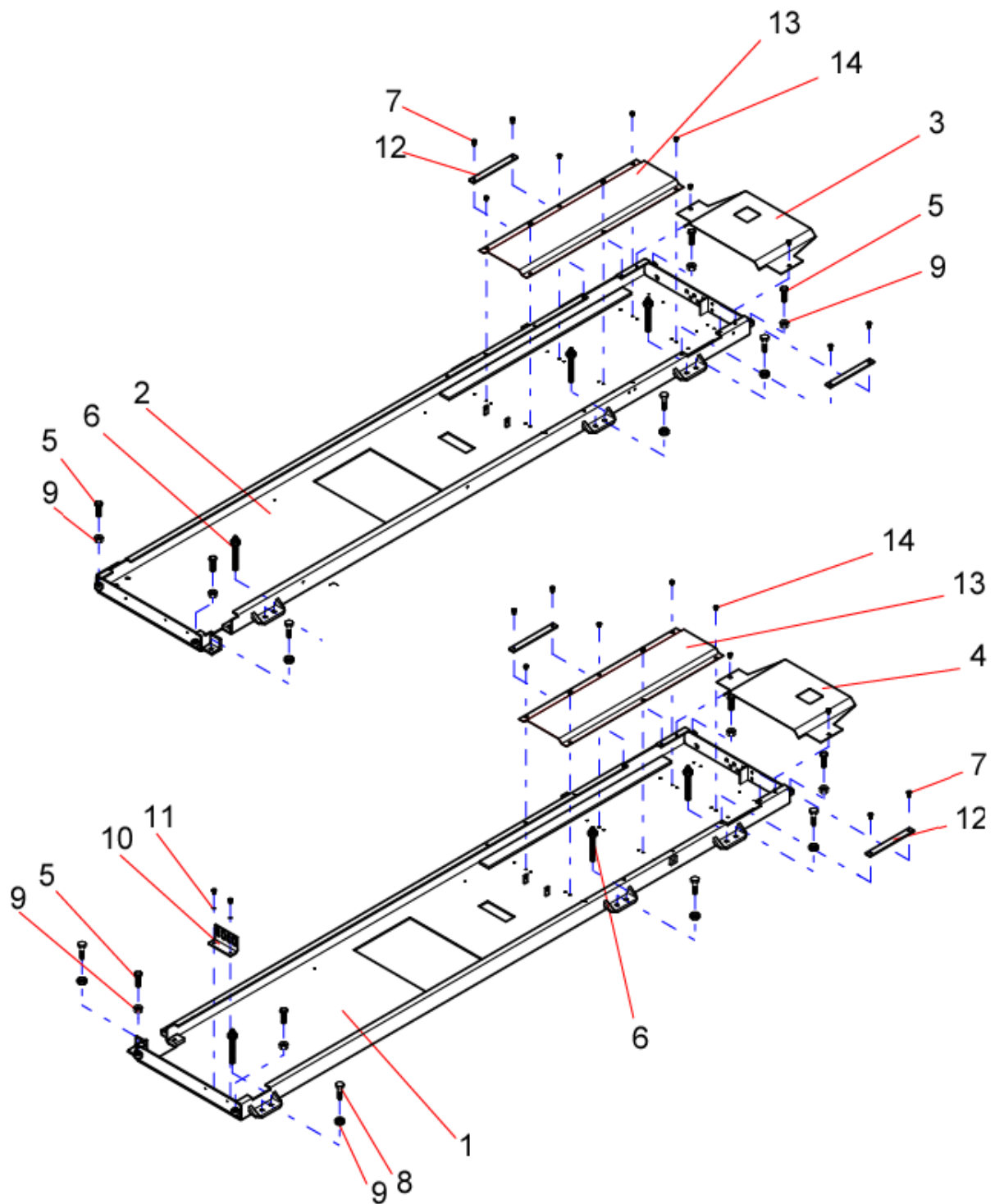
2.14 Moveable Plate, Porsche



ItemNo.	SparePart	ArticleNumber
1	Upper Part	03 08 81205
2	Lower Part	03 08 81040
3	Adapter Plate long	02 08 81805
	Adapter Plate	02 08 81807
4	Adapter Plate short	02 08 81800
5	Countersunk Screw M6x12	22 7991 06012 1
6	Tension Spring 1x10x110	23 9110 010 110
7	Chain \varnothing 1,6	19 5001
8	Locking Pin	02 08 81035
9	Roller	02 08 81027
10	Phenolic Resin Ball	31 7038
11	Ball Cage	02 08 81105
12	Hex Head Cap Screw M12x20	22 0933 12020 K
13	Hex Nut M12	22 0934 12 K
14	Allen Screw M10x20	22 0912 10020 1
15	Key Ring	19 4990

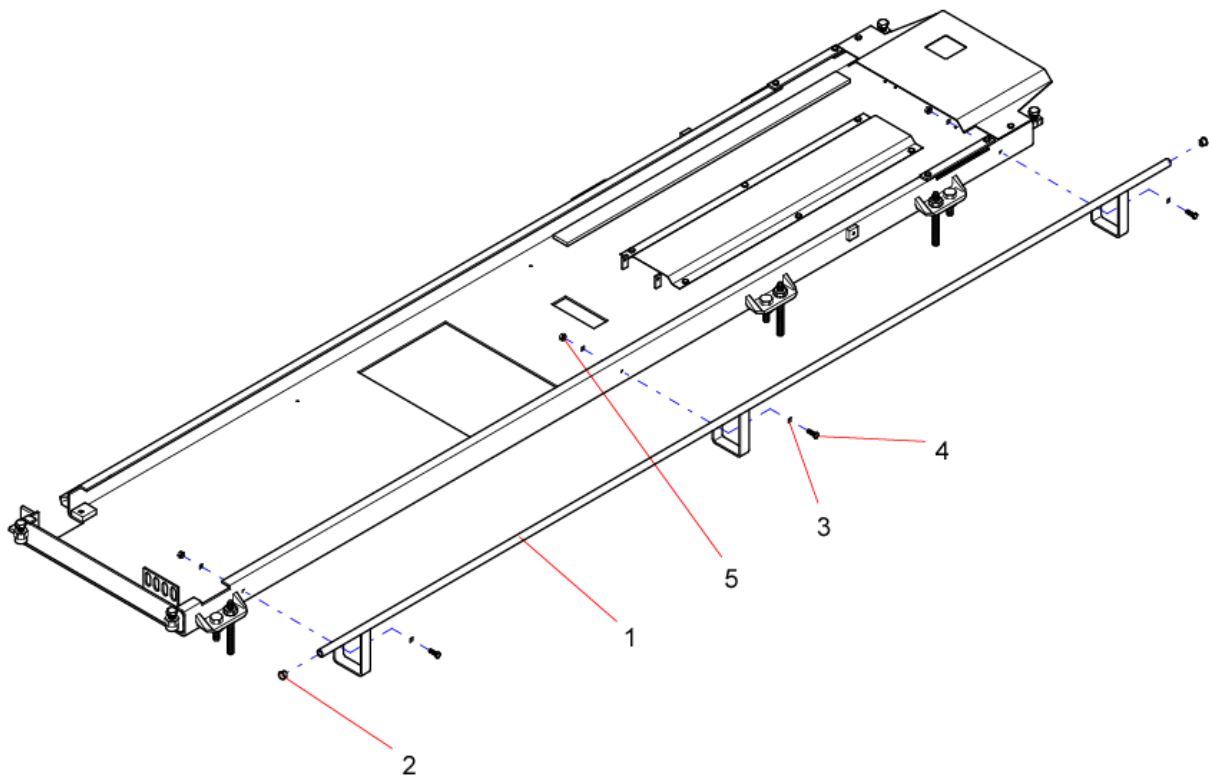
3 Base Plate

3.1 Floor Group



ItemNo.	SparePart	ArticleNumber
1	Base Plate left	03 08 02100
2	Base Plate right	03 08 02105
3	Cover Plate right	02 08 02027
4	Cover Plate left	02 08 02026
5	Hex Head Cap Screw M16x50	22 0933 16050 1
6	Heavy-Duty Anchor FH 15/50 B 155lg.	23 5050
7	Hex Head Cap Screw M8x12	22 0933 08012 1
8	Hex Head Cap Screw M16x60	22 0933 16060 1
9	Hex Nut M16	22 0934 16 1
10	Proximity Switch Support	02 08 02035
11	Washer A8,4	22 0125 08 1
12	Cover Plate	02 08 02076
13	Cover Plate Standard	02 08 02110
	Cover Plate, Double Latch	02 08 02115
14	Hex Head Cap Screw M8x8	22 0933 08008 K

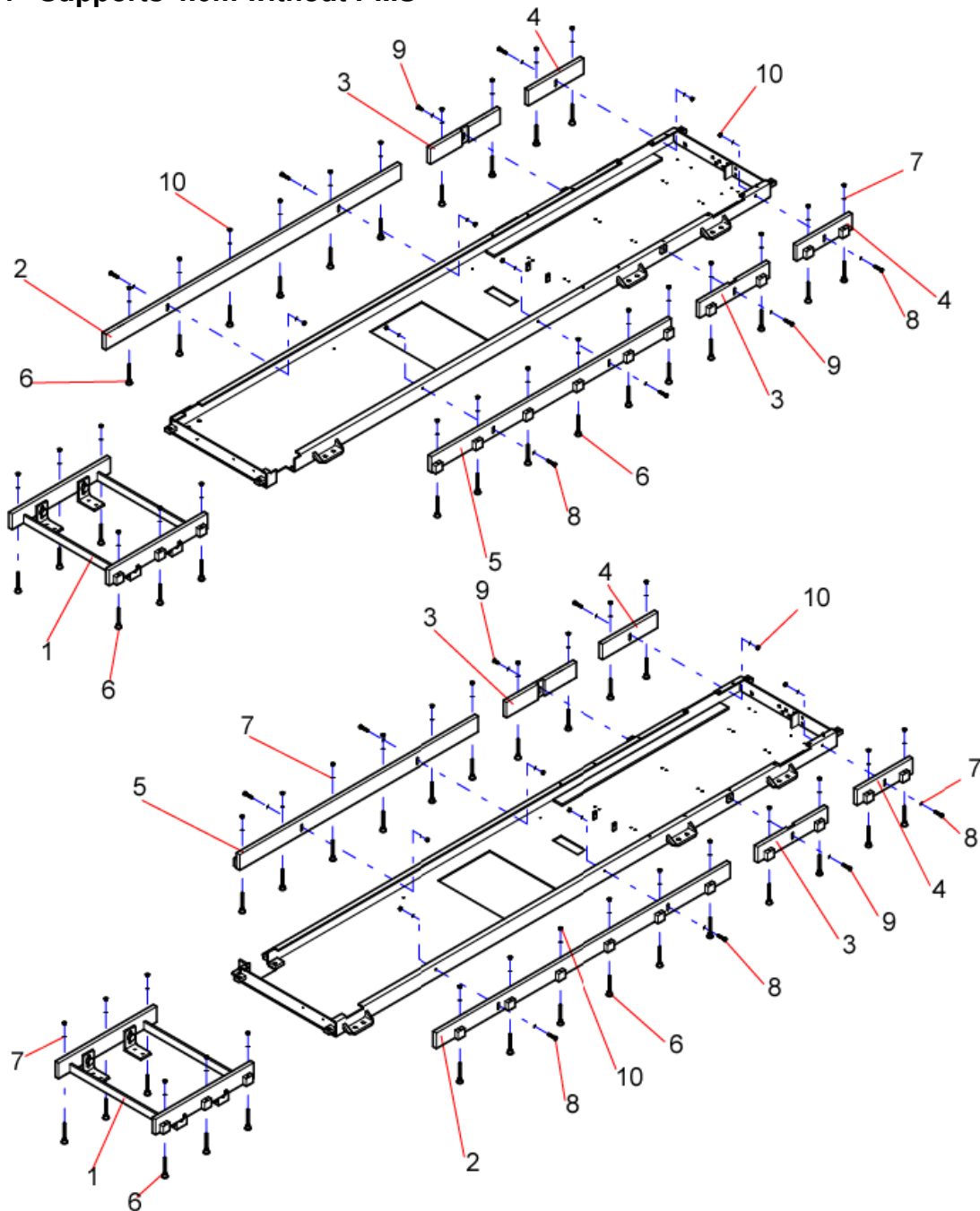
3.2 Safety Bar, Surface Mounted



ItemNo.	SparePart	ArticleNumber
1	Safety Bar	03 08 02010
2	Lamellar Plug	31 5075
3	Washer A8,4	22 0125 08 1
4	Hex Head Cap Screw M8x25	22 0933 08025 1
5	Hex Nut M8	22 0934 08 1

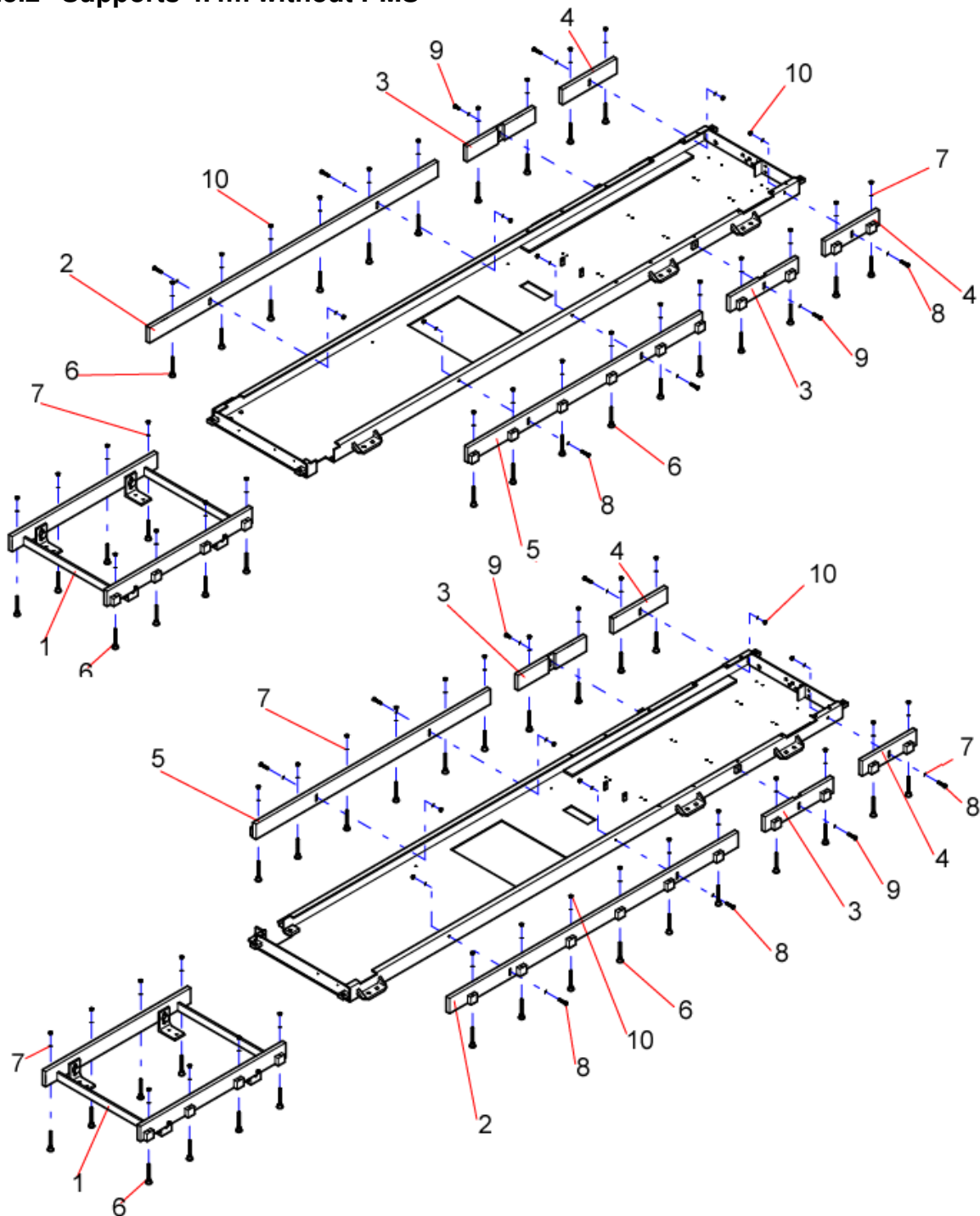
3.3 Supports

3.3.1 Supports 4.0m without PMS



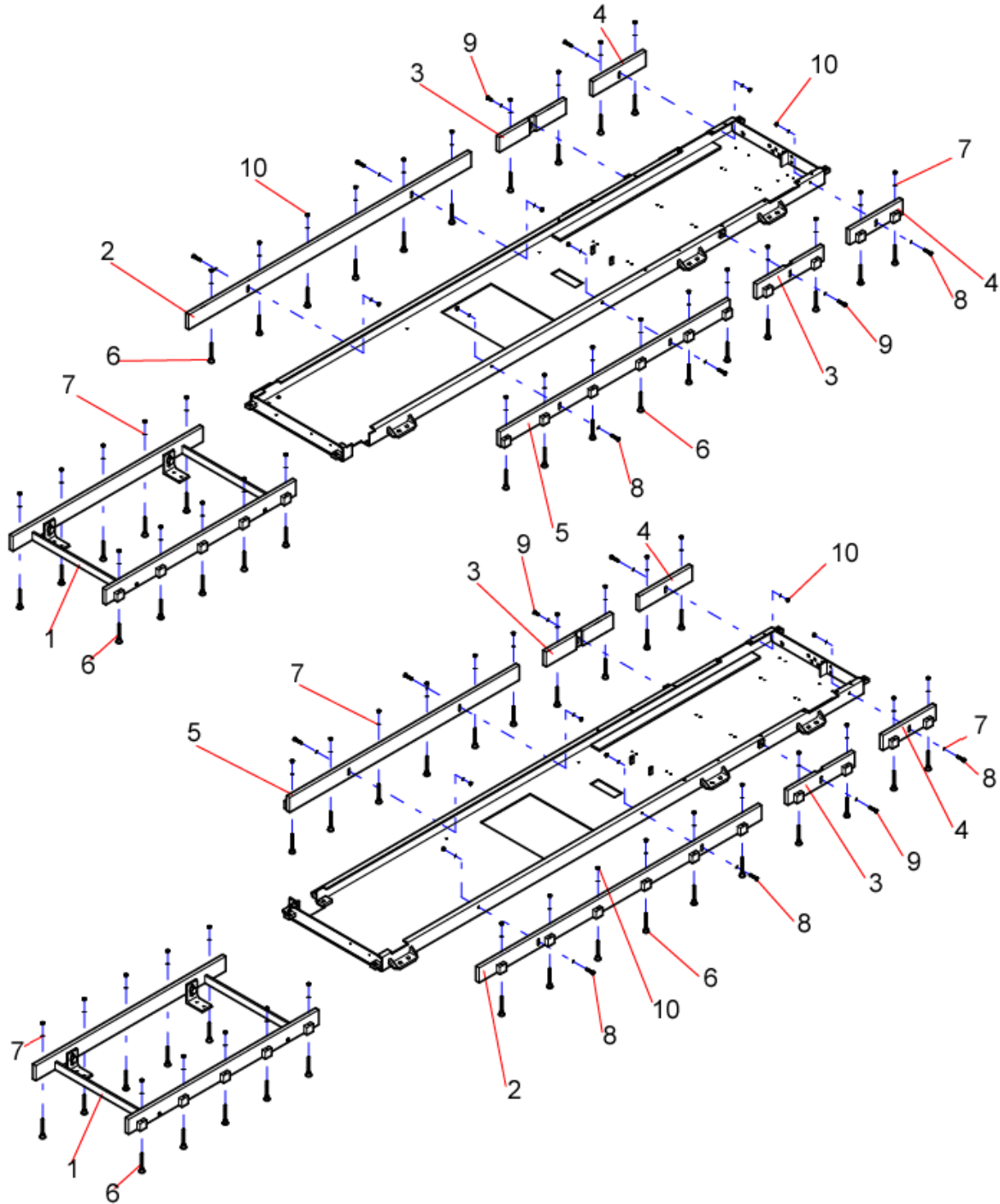
ItemNo.	SparePart	ArticleNumber
1	Support 585mm Assembly	03 08 02250
2	Support 1760mm	03 08 02215
3	Support 416mm	03 08 02220
4	Support 330mm	03 08 02235
5	Support 1430mm	03 08 02260
6	Hinged Foot M8x80	23 1430 422
7	Washer A8,4	22 0125 08 1
8	Hex Head Cap Screw M8x40	22 0931 08040 1
9	Hex Head Cap Screw M8x20	22 0933 08020 1
10	Hex Nut M8	22 0934 08 1

3.3.2 Supports 4.4m without PMS



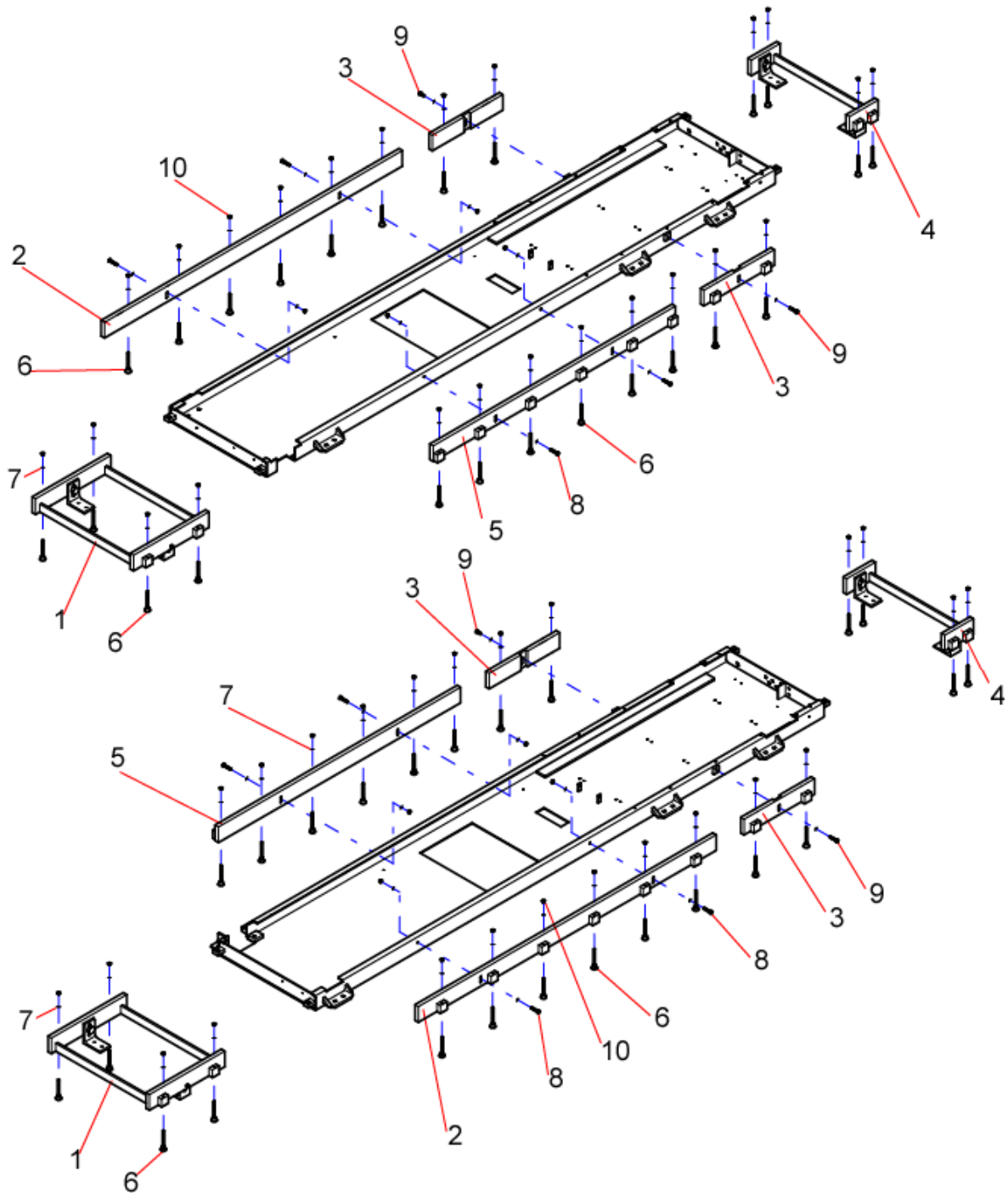
ItemNo.	SparePart	ArticleNumber
1	Support 585mm Assembly	03 08 02280
2	Support 1760mm	03 08 02215
3	Support 416mm	03 08 02220
4	Support 330mm	03 08 02235
5	Support 1430mm	03 08 02260
6	Hinged Foot M8x80	23 1430 422
7	Washer A8,4	22 0125 08 1
8	Hex Head Cap Screw M8x40	22 0931 08040 1
9	Hex Head Cap Screw M8x20	22 0933 08020 1
10	Hex Nut M8	22 0934 08 1

3.3.3 Supports 4.8m without PMS



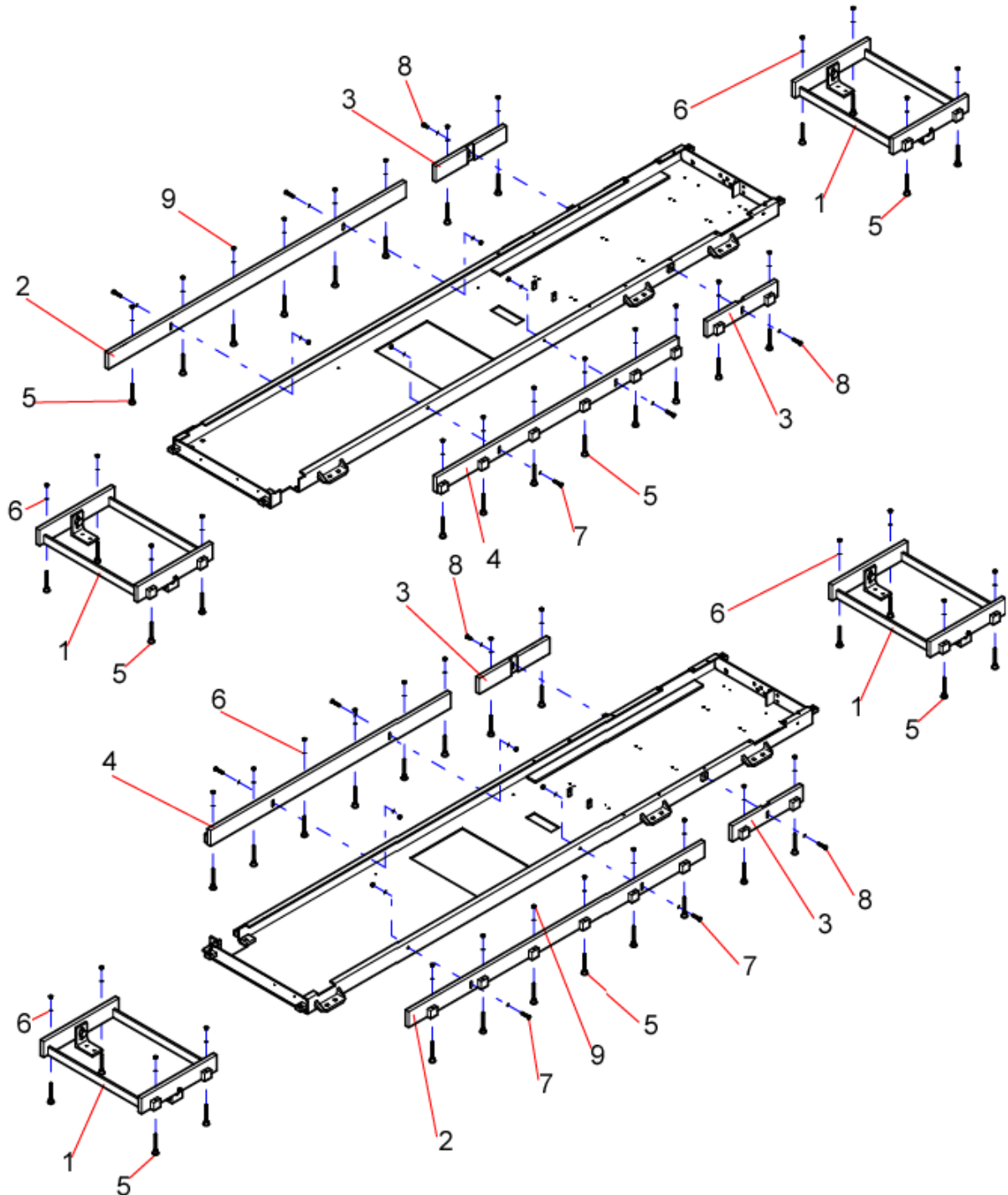
ItemNo.	SparePart	ArticleNumber
1	Support 1185mm Assembly	03 08 02300
2	Support 1760mm	03 08 02215
3	Support 416mm	03 08 02220
4	Support 330mm	03 08 02235
5	Support 1430mm	03 08 02260
6	Hinged Foot M8x80	23 1430 422
7	Washer A8,4	22 0125 08 1
8	Hex Head Cap Screw M8x40	22 0931 08040 1
9	Hex Head Cap Screw M8x20	22 0933 08020 1
10	Hex Nut M8	22 0934 08 1

3.3.4 Supports 4.0m with PMS



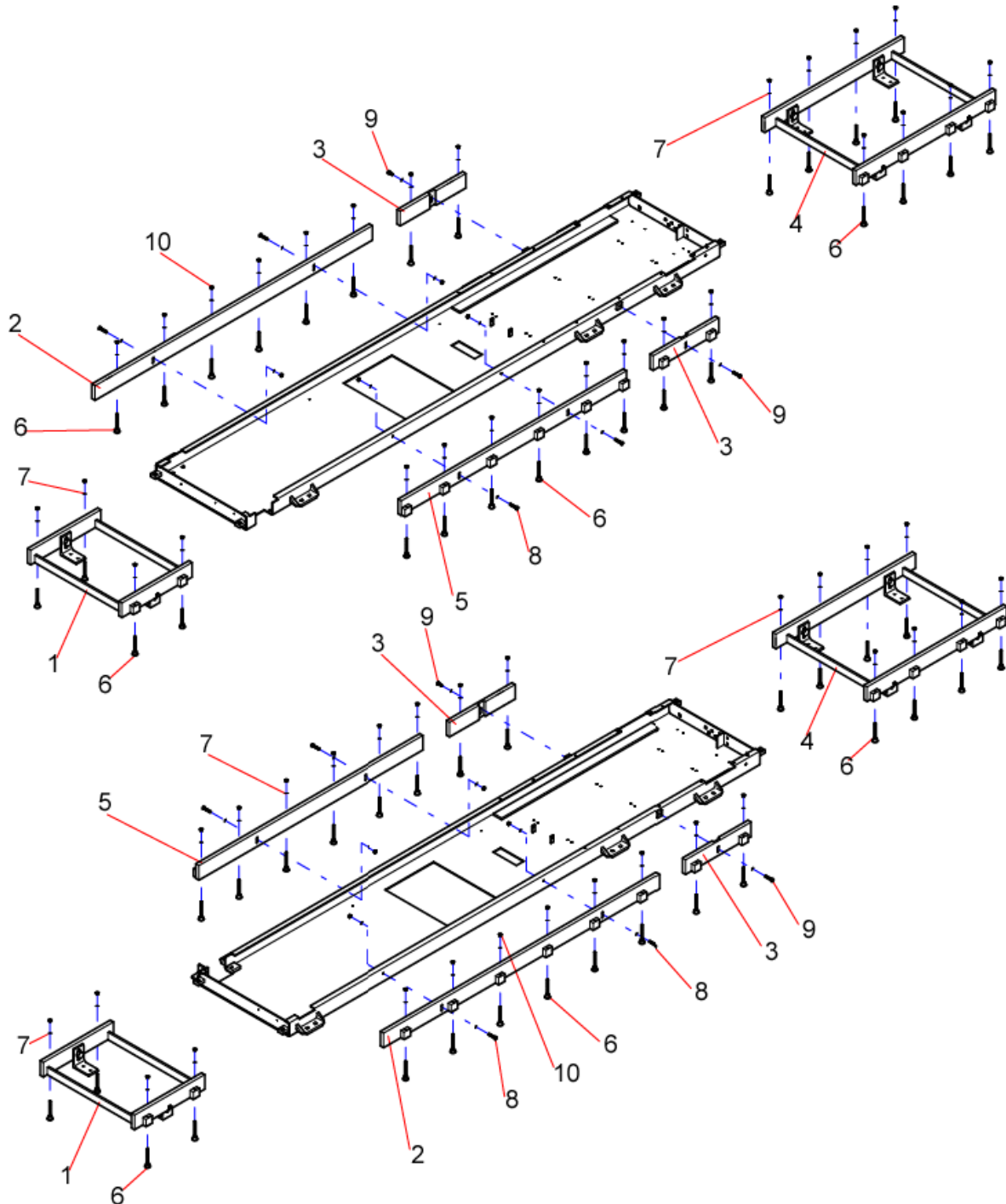
ItemNo.	SparePart	ArticleNumber
1	Support 445mm Assembly	03 08 02330
2	Support 1760mm	03 08 02215
3	Support 416mm	03 08 02220
4	Support 170mm Assembly	03 08 02370
5	Support 1430mm	03 08 02260
6	Hinged Foot M8x80	23 1430 422
7	Washer A8,4	22 0125 08 1
8	Hex Head Cap Screw M8x40	22 0931 08040 1
9	Hex Head Cap Screw M8x20	22 0933 08020 1
10	Hex Nut M8	22 0934 08 1

3.3.5 Supports 4.4m with PMS



ItemNo.	SparePart	ArticleNumber
1	Support 445mm Assembly	03 08 02330
2	Support 1760mm	03 08 02215
3	Support 416mm	03 08 02220
4	Support 1430mm	03 08 02260
5	Hinged Foot M8x80	23 1430 422
6	Washer A8,4	22 0125 08 1
7	Hex Head Cap Screw M8x40	22 0931 08040 1
8	Hex Head Cap Screw M8x20	22 0933 08020 1
9	Hex Nut M8	22 0934 08 1

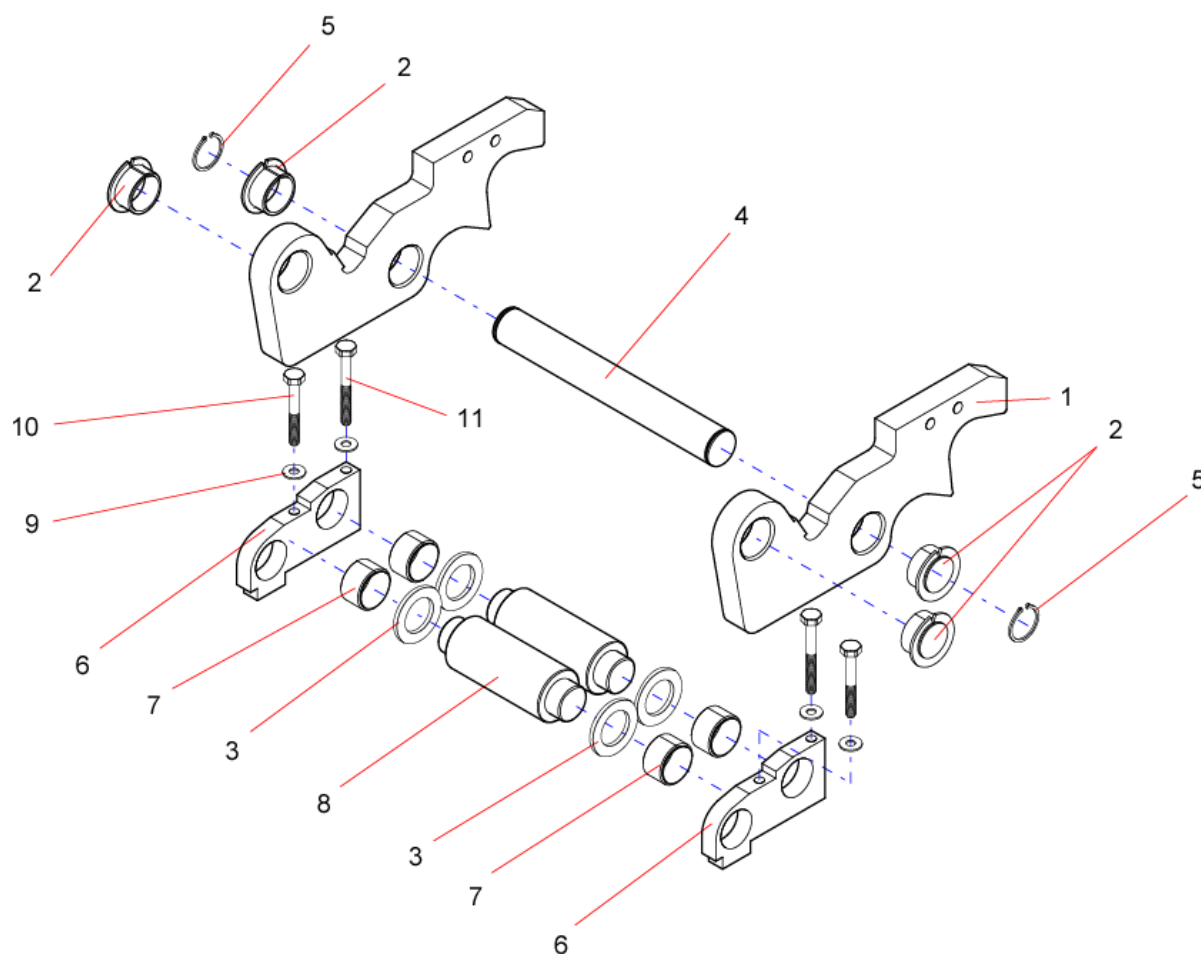
3.3.6 Supports 4.8m with PMS



ItemNo.	SparePart	ArticleNumber
1	Support 445mm Assembly	03 08 02330
2	Support 1760mm	03 08 02215
3	Support 416mm	02 08 02223
4	Support 885mm Assembly	03 08 02280
5	Support 1430mm	03 08 02200
6	Hinged Foot M8x80	23 1430 422
7	Washer A8,4	22 0125 08 1
8	Hex Head Cap Screw M8x40	22 0931 08040 1
9	Hex Head Cap Screw M8x20	22 0933 08020 1
10	Hex Nut M8	22 0934 08 1

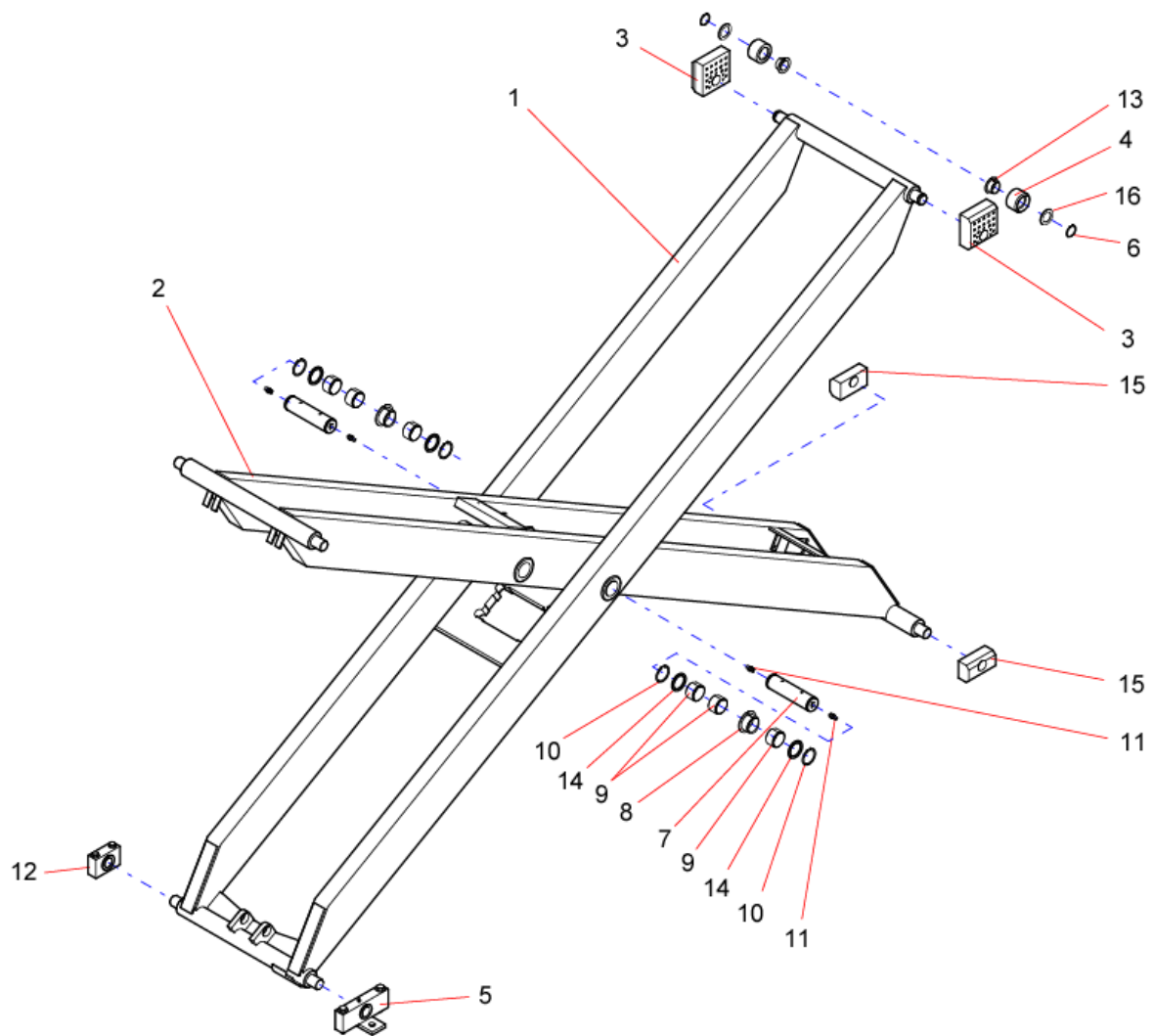
4 Lifting Scissors

4.1 Raising Lever



ItemNo.	SparePart	ArticleNumber
1	Lever	02 08 56008
2	Plain Bearing GLY.PBG 404426 F	24 1741 1
3	Adjusting Washer 40x50x0,5	22 0988 405005
	Adjusting Washer 40x50x1	22 0988 405010
	Adjusting Washer 40x50x2	22 0988 405020
4	Shaft	02 08 17110
5	Circlip A40x1,75	22 0471 040
6	Bearing Bracket	15 7115
7	Plain Bearing GLY.PG 404420 A	24 1740 5
8	Roller	02 08 56125
9	Washer A10,5	22 0125 10 1
10	Hex Head Cap Screw M10x80	22 0931 10080 1
11	Hex Head Cap Screw M10x90	22 0931 10090 1

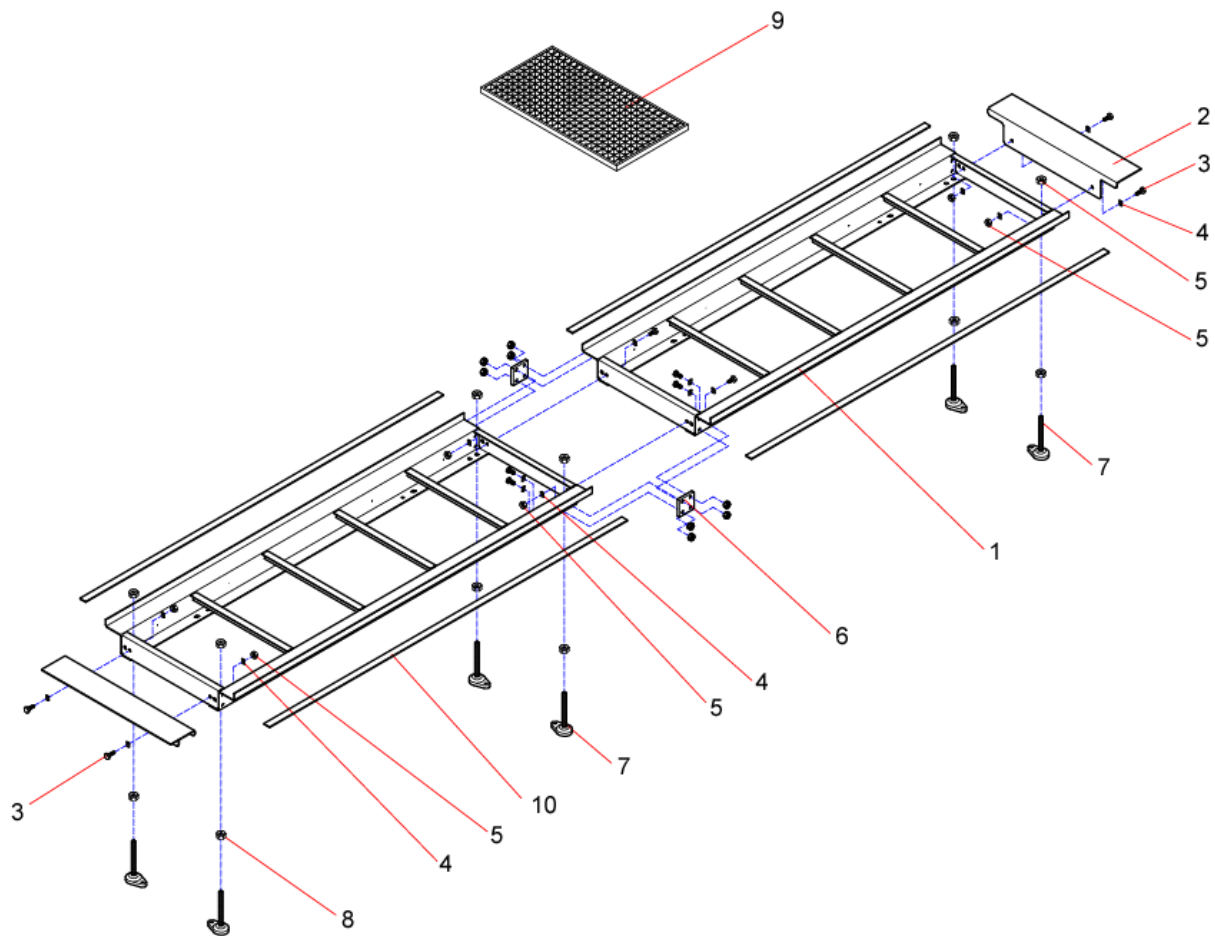
4.2 Scissors



ItemNo.	SparePart	ArticleNumber
1	Scissors outside	03 08 18400
2	Scissors inside	03 08 18500
3	Slider Block	02 08 17115
	Slider Block PMS	02 08 20208
4	Roller	02 08 17065
5	Thrust Bearing Bracket inside	03 08 02023
6	Circlip A30x1,5	22 0471 030
7	Scissors Shaft with Lubrication Hole	02 08 10530
8	Plain Bearing GLY.PBG 404426 F	24 1741 1
9	Plain Bearing GLY.PG 404430 A	24 1742
10	Circlip A40x1,75	22 0471 040
11	Zerk Fitting 1/4" -28 UNF-3A	23 0400
12	Thrust Bearing Bracket outside	03 08 02015
13	Plain Bearing GLY.PBG 303426 F	24 1732 1
14	Adjusting Washer 40x50x2,5	22 0988 405025
15	Slider Block bottom	31 6051
16	Adjusting Washer 30x42x1	22 0988 304210
	Adjusting Washer 30x42x1,5	22 0988 304215
	Adjusting Washer 30x42x2	22 0988 304220

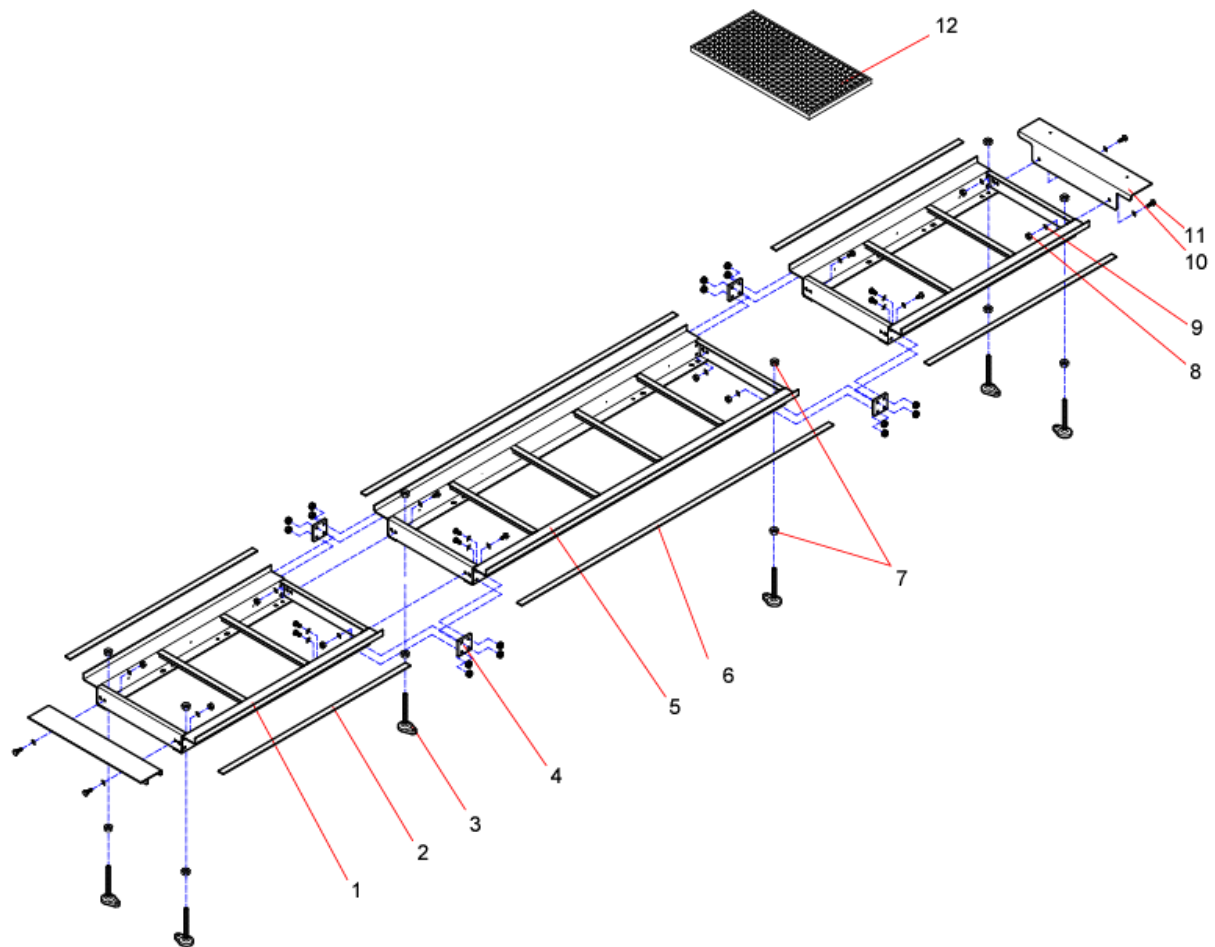
5 Gratings and Floor Covers

5.1 Grating 4.0m



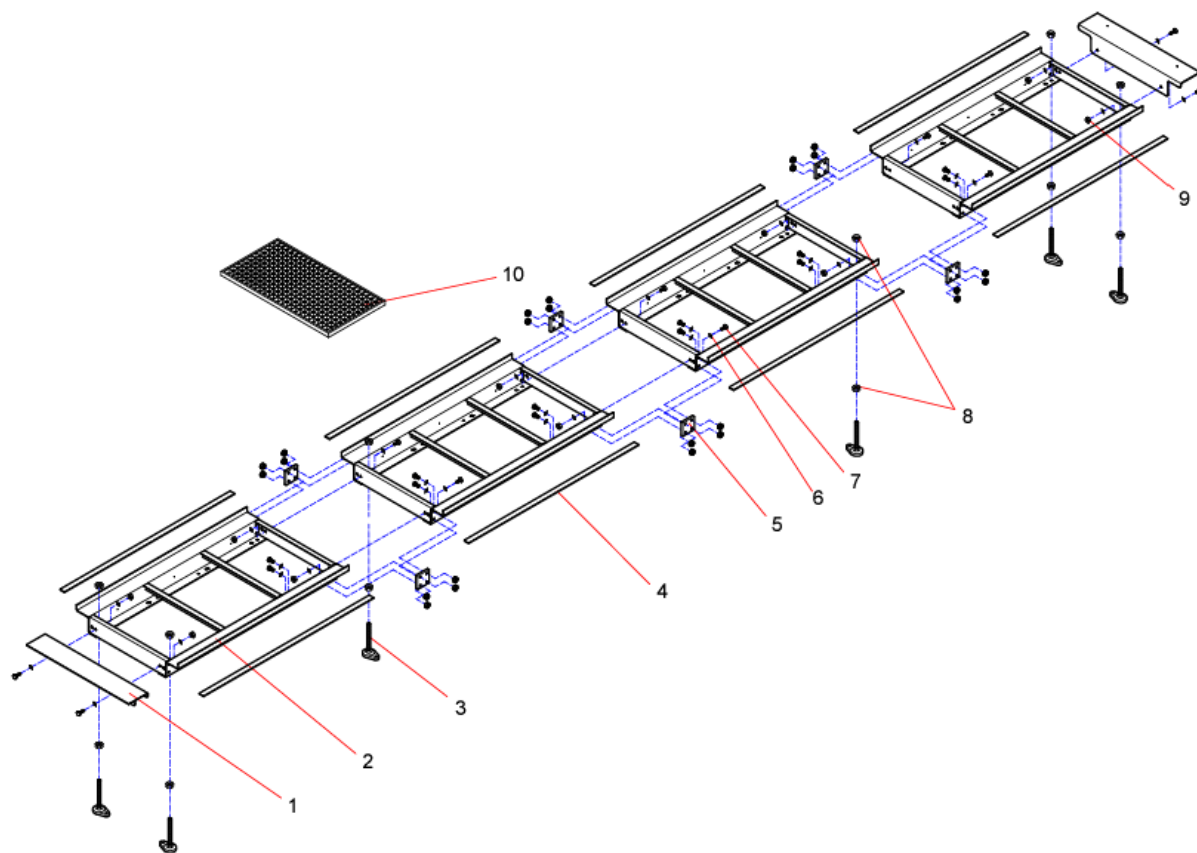
ItemNo.	SparePart	ArticleNumber
1	Base Frame 1977mm	03 08 84100
2	End Plate	05 08 84110
3	Hex Head Cap Screw M12x25	22 0933 12025 1
4	Washer A13	22 0125 12 1
5	Hex Nut M12	22 0934 12 1
6	Connecting Plate	05 08 84120
7	Adjusting Foot	23 1429
8	Hex Nut M16	22 0934 16 1
9	Grating without Frame	14 6075 1
10	Support Rubber	02 08 84035

5.2 Grating 4.4m



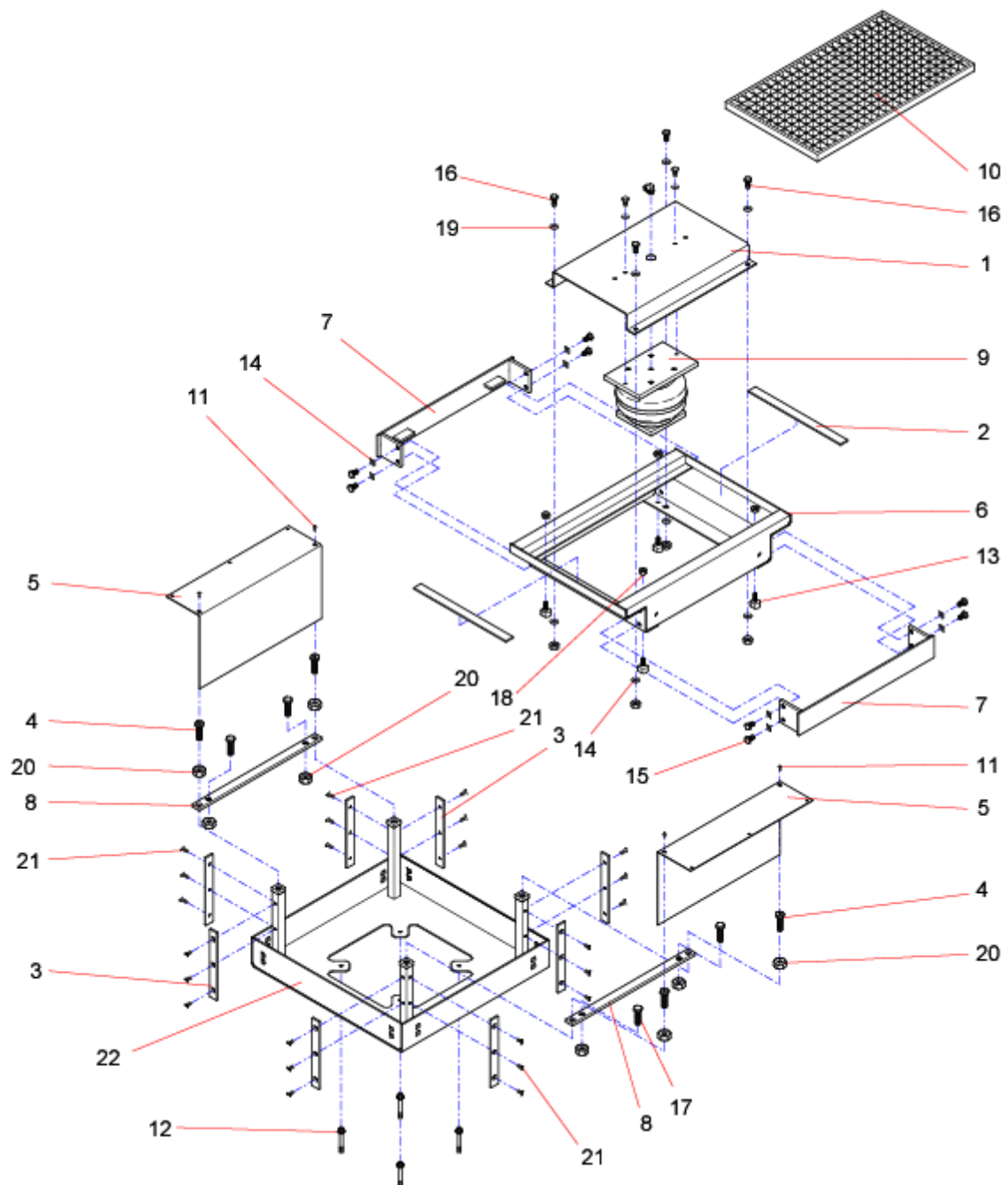
ItemNo.	SparePart	ArticleNumber
1	Base Frame 1187mm	03 08 84050
2	Support Rubber	02 08 84030
3	Adjusting Stand	23 1429
4	Connecting Plate	05 08 84120
5	Base Frame 1977mm	03 08 84100
6	Support Rubber	02 08 84035
7	Hex Nut M16	22 0934 16 1
8	Hex Nut M12	22 0934 12 1
9	Washer A13	22 0125 12 1
10	End Plate	05 08 84110
11	Hex Head Cap Screw M12x25	22 0933 12025 1
12	Grating without Frame	14 6075 1

5.3 Grating 4.8m



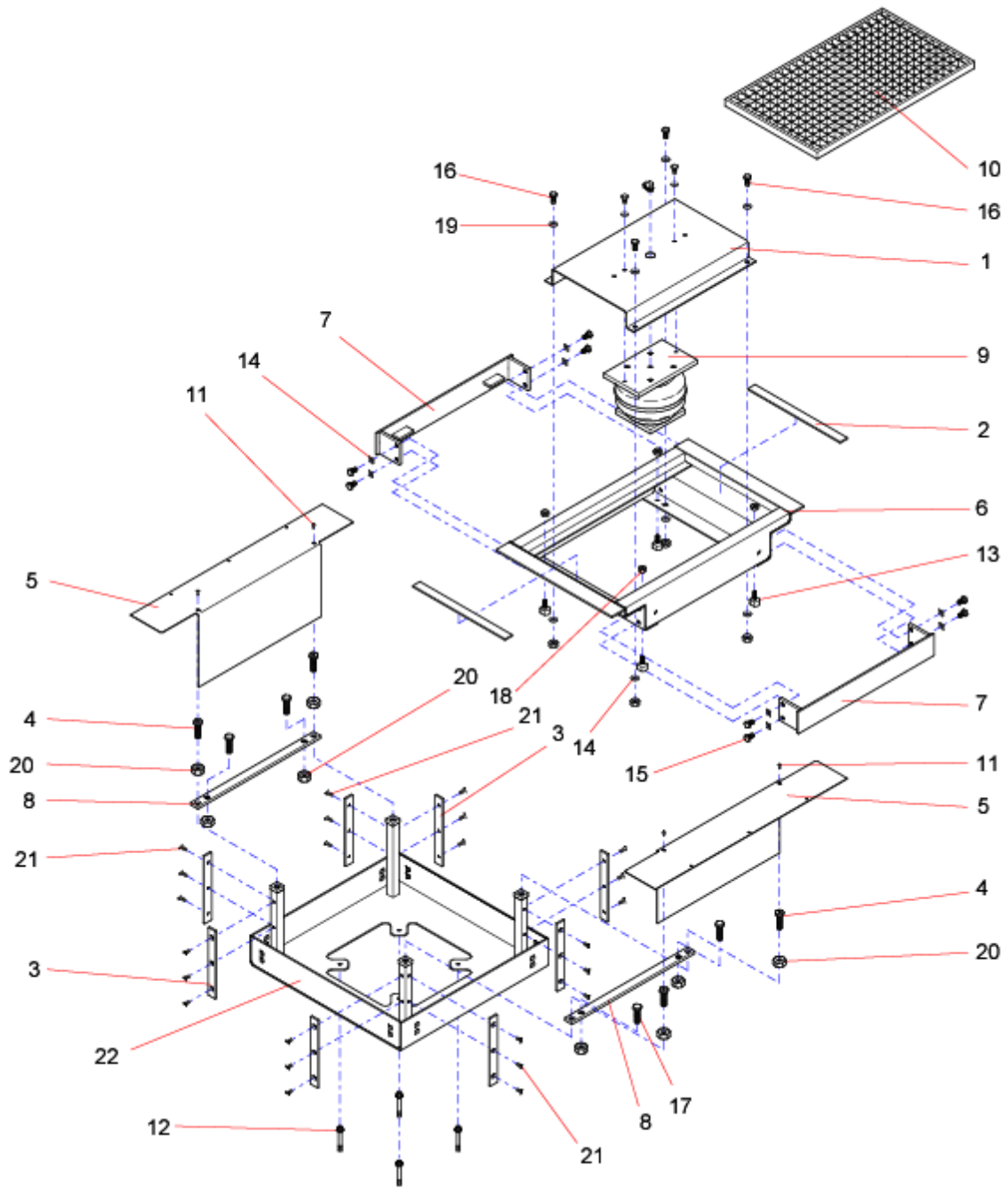
ItemNo.	SparePart	ArticleNumber
1	End Plate	05 08 84110
2	Base Frame 1187mm	03 08 84050
3	Adjusting Foot	23 1429
4	Support Rubber	02 08 84030
5	Connecting Plate	05 08 84120
6	Washer A13	22 0125 12 1
7	Hex Head Cap Screw M12x25	22 0933 12025 1
8	Hex Nut M16	22 0934 16 1
9	Hex Nut M12	22 0934 12 1
10	Grating without Frame	14 6075 1

5.4 Floor Cover for Axle Jack



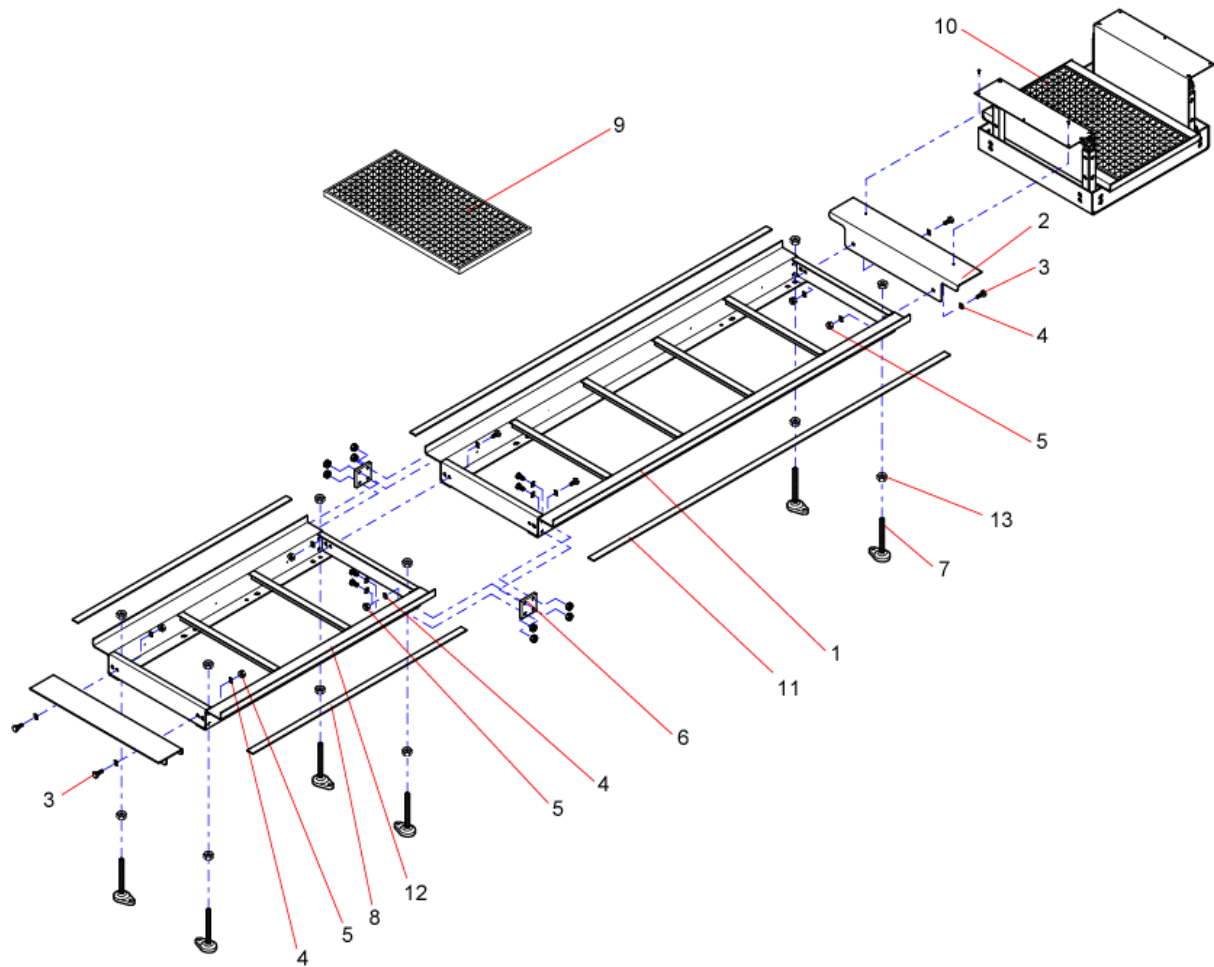
ItemNo.	SparePart	ArticleNumber
1	Support Plate	02 08 84570
2	Support Rubber	02 08 84050
3	Guide	02 08 86005
4	Adjusting Screw	02 08 86010
5	Cover Plate	02 08 84580
6	Base Frame 495mm	03 08 84250
7	Guide	03 08 84350
8	Stop	02 08 84590
9	Air Bellows Assembly	03 08 86030
10	Grating without Frame	14 6075 1
11	Binding Head Screw M6x10	23 3078
12	Heavy-Duty Anchor Upat EXA 10/15 GVZ 90lg.	23 5090
13	Dowel Pin M10x29 SW24	31 6203
14	Washer A13	22 0125 12 1
15	Hex Head Cap Screw M12x30	22 0933 12030 1
16	Hex Head Cap Screw M12x25	22 0933 12025 1
17	Hex Head Cap Screw M16x50	22 0933 16050 1
18	Hex Nut M10	22 0934 10 1
19	Hex Nut M12	22 0934 12 1
20	Hex Nut M16	22 0934 16 1
21	Countersunk Screw M8x16	22 7991 08016 1
22	Travel Stop	03 08 84400

5.5 Floor Cover 950 for Axle Jack



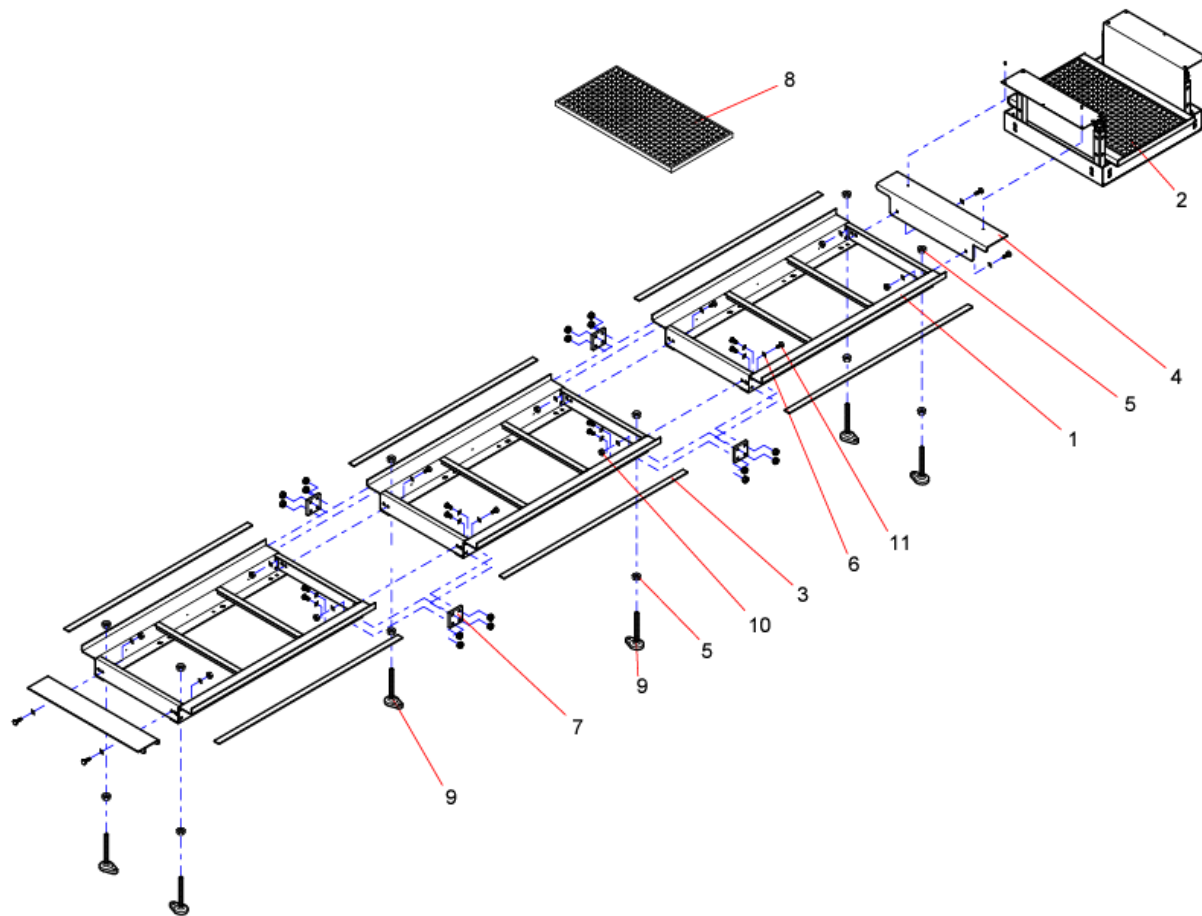
ItemNo.	SparePart	ArticleNumber
1	Support Plate	02 08 84570
2	Support Rubber	02 08 84050
3	Guide	02 08 86005
4	Adjusting Screw	02 08 86010
5	Cover Plate	02 08 84582
6	Base Frame	03 08 84255
7	Guide	03 08 84350
8	Stop	02 08 84590
9	Air Bellows Assembly	03 08 86030
10	Grating without Frame	14 6075 1
11	Binding Head Screw M6x10	23 3078
12	Heavy-Duty Anchor Upat EXA 10/15 GVZ 90lg.	23 5090
13	Dowel Pin M10x29 SW24	31 6203
14	Washer A13	22 0125 12 1
15	Hex Head Cap Screw M12x30	22 0933 12030 1
16	Hex Head Cap Screw M12x25	22 0933 12025 1
17	Hex Head Cap Screw M16x50	22 0933 16050 1
18	Hex Nut M10	22 0934 10 1
19	Hex Nut M12	22 0934 12 1
20	Hex Nut M16	22 0934 16 1
21	Countersunk Screw M8x16	22 7991 08016 1
22	Travel Stop	03 08 84400
	Travel Stop 380mm	03 08 84410

5.6 Grating with Floor Cover 4.0m



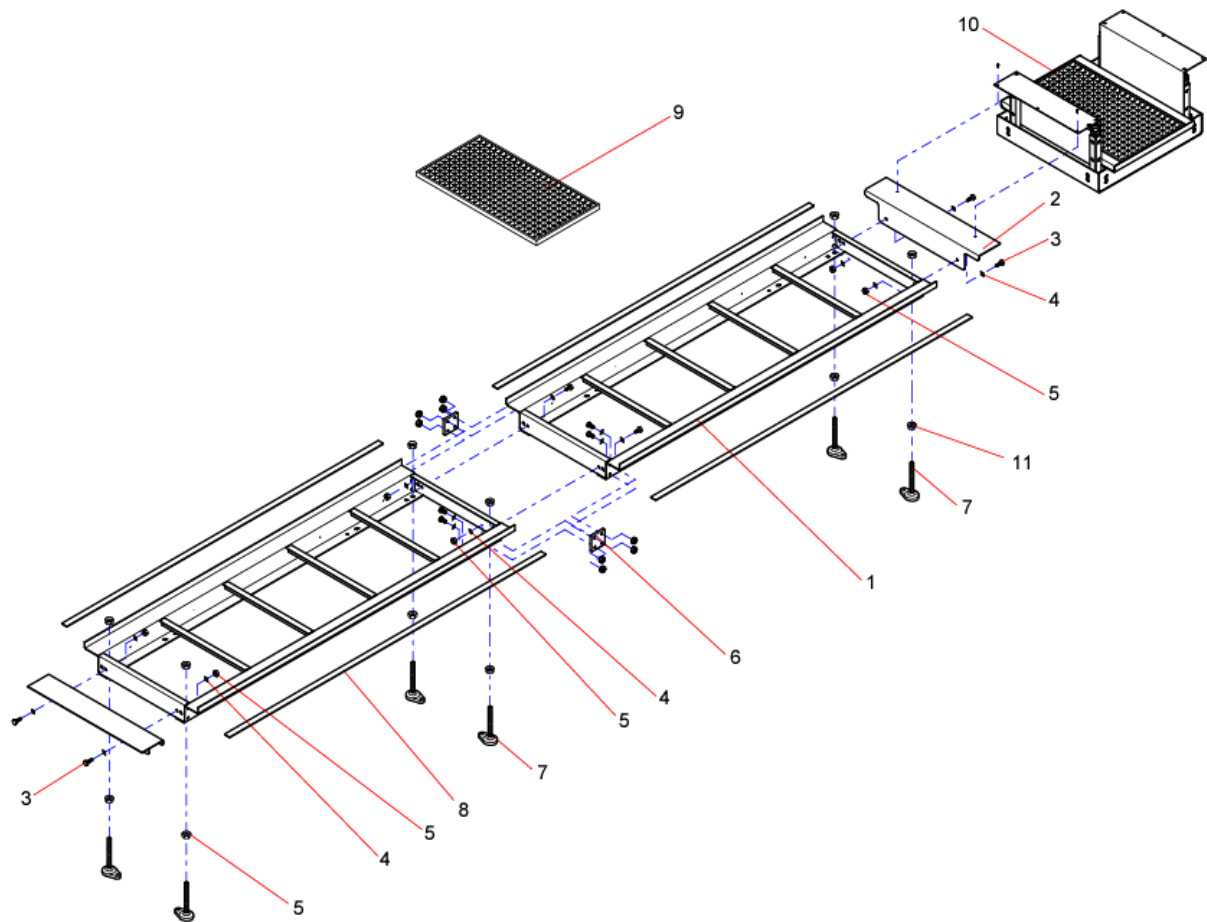
ItemNo.	SparePart	ArticleNumber
1	Base Frame 1977mm	03 08 84100
2	End Plate	05 08 84110
3	Hex Head Cap Screw M12x25	22 0933 12025 1
4	Washer A13	22 0125 12 1
5	Hex Nut M12	22 0934 12 1
6	Connecting Plate	05 08 84120
7	Adjusting Foot	23 1429
8	Support Rubber 1975mm	02 08 84035
9	Grating without Frame	14 6075 1
10	Floor Cover for Axle Jack	05 08 84450
11	Support Rubber 1185mm	02 08 84030
12	Base Frame 1187mm	03 08 84050
13	Hex Nut M16	22 0934 16 1

5.7 Grating with Floor Cover 4.4m



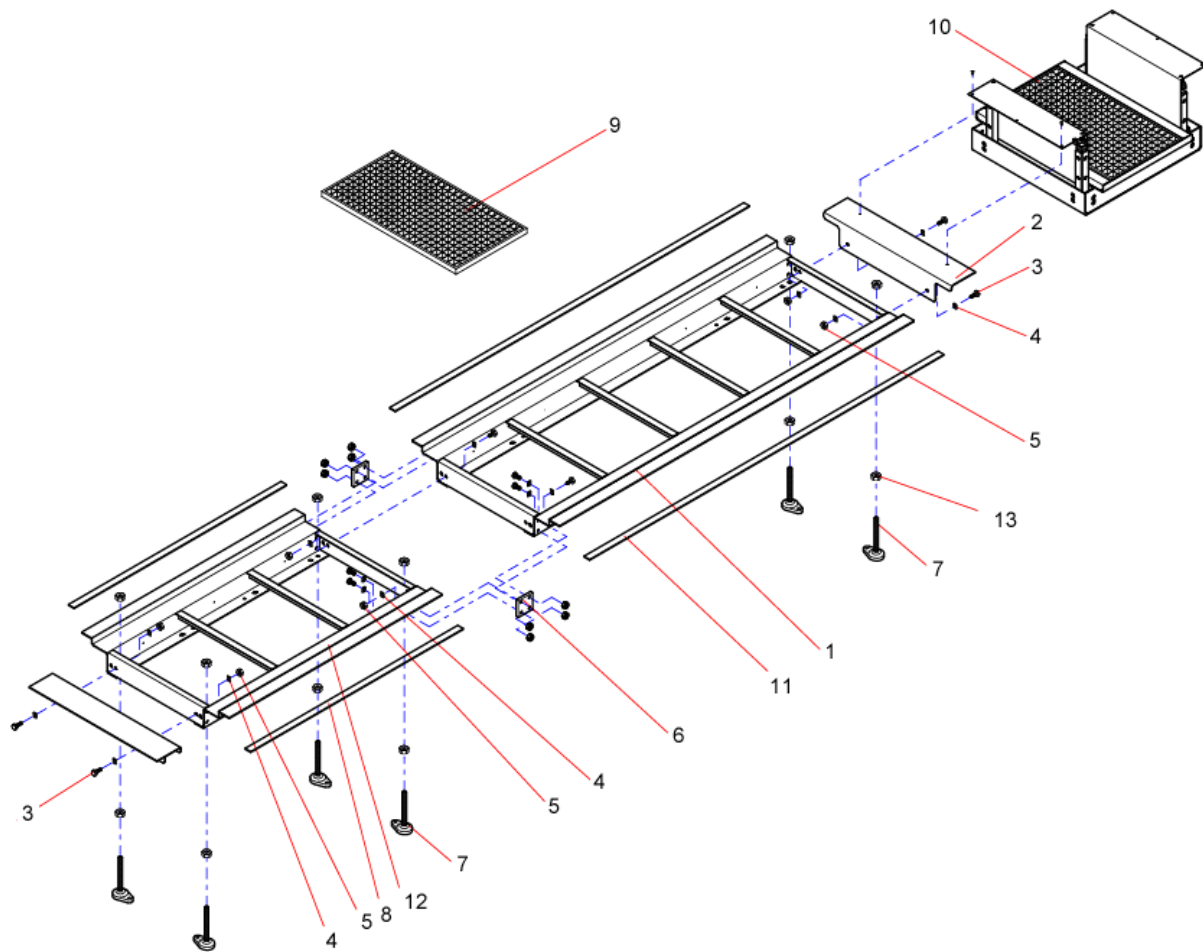
ItemNo.	SparePart	ArticleNumber
1	Base Frame 1187mm	03 08 84050
2	Floor Cover for Axle Jack	05 08 84450
3	Support Rubber	02 08 84030
4	End Plate	05 08 84110
5	Hex Nut M16	22 0934 16 1
6	Washer A13	22 0125 12 1
7	Connecting Plate	05 08 84120
8	Grating without Frame	14 6075 1
9	Adjusting Foot	23 1429
10	Hex Nut M12	22 0934 12 1
11	Hex Head Cap Screw M12x25	22 0933 12025 1

5.8 Grating with Floor Cover 4.8m



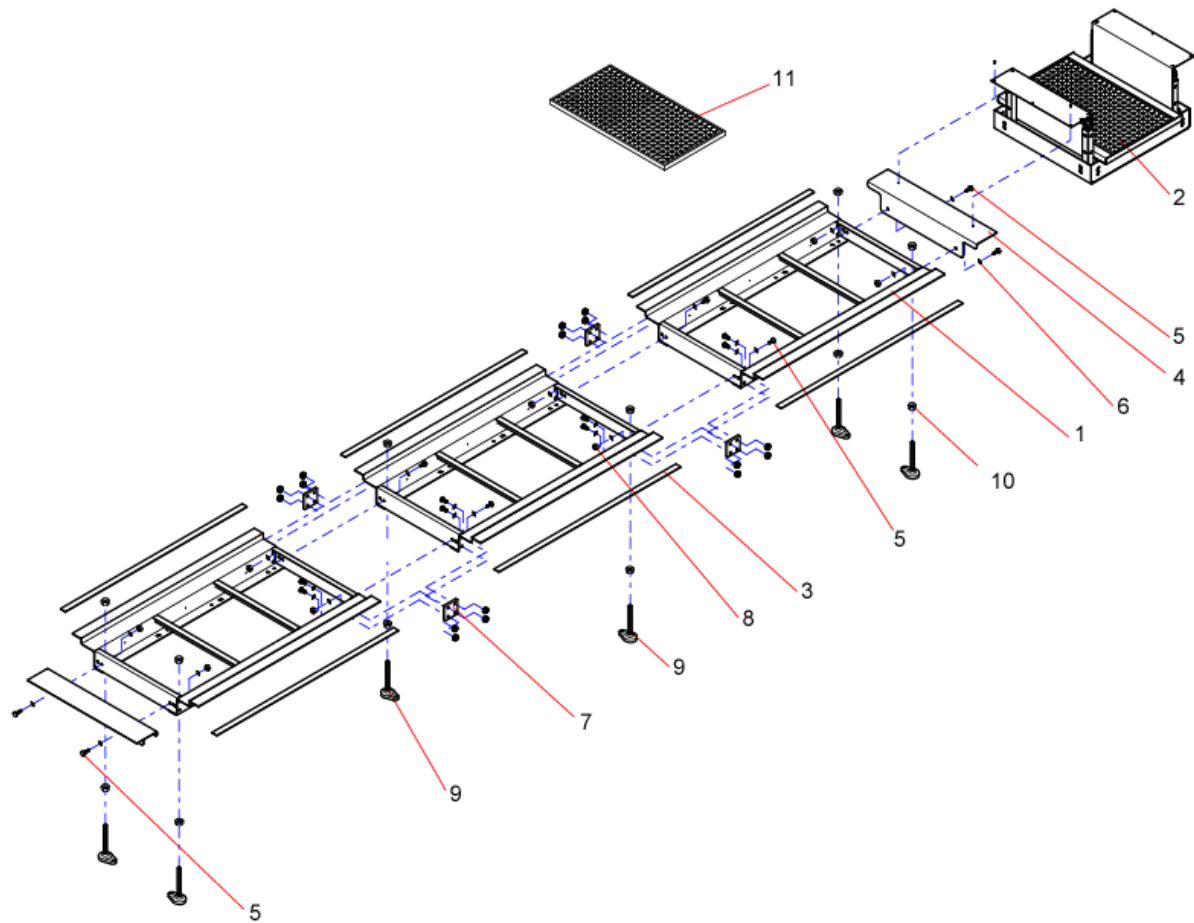
ItemNo.	SparePart	ArticleNumber
1	Base Frame 1977mm	03 08 84100
2	End Plate	05 08 84110
3	Hex Head Cap Screw M12x25	22 0933 12025 1
4	Washer A13	22 0125 12 1
5	Hex Nut M12	22 0934 12 1
6	Connecting Plate	05 08 84120
7	Adjusting Foot	23 1429
8	Support Rubber	02 08 84035
9	Grating without Frame	14 6075 1
10	Floor Cover for Axle Jack	05 08 84450
11	Hex Nut M16	22 0934 16 1

5.9 Grating with Floor Cover 4.0m / 950



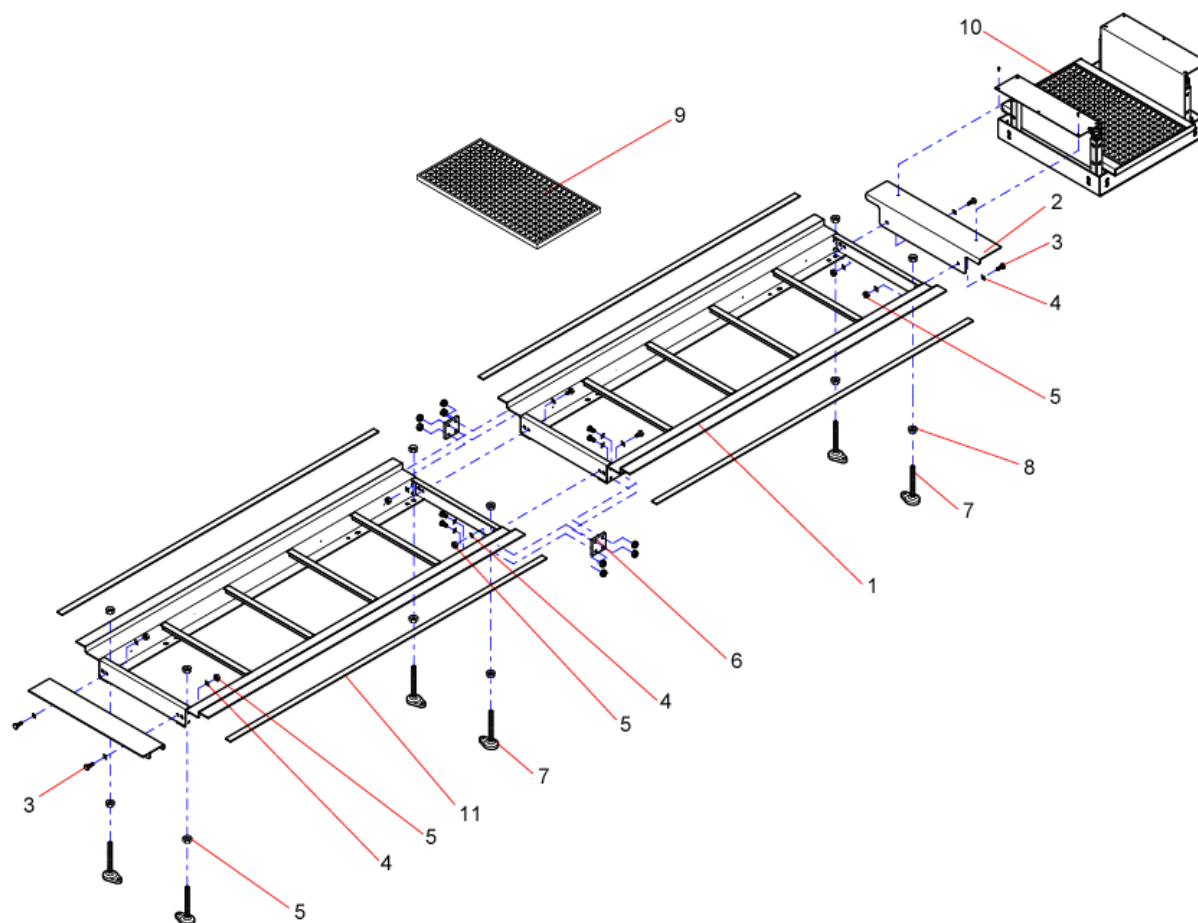
ItemNo.	SparePart	ArticleNumber
1	Base Frame 1977/950	03 08 84120
2	End Plate	02 08 84115
3	Hex Head Cap Screw M12x25	22 0933 12025 1
4	Washer A13	22 0125 12 1
5	Hex Nut M12	22 0934 12 1
6	Connecting Plate	05 08 84120
7	Adjusting Foot	23 1429
8	Support Rubber 1184mm	02 08 84030
9	Grating without Frame	14 6075 1
10	Floor Cover /950 for Axle Jack	03 08 84455
11	Support Rubber 1975mm	02 08 84035
12	Base Frame 1187/950	03 08 84130
13	Hex Nut M16	22 0934 16 1

5.10 Grating with Floor Cover 4.4m / 950



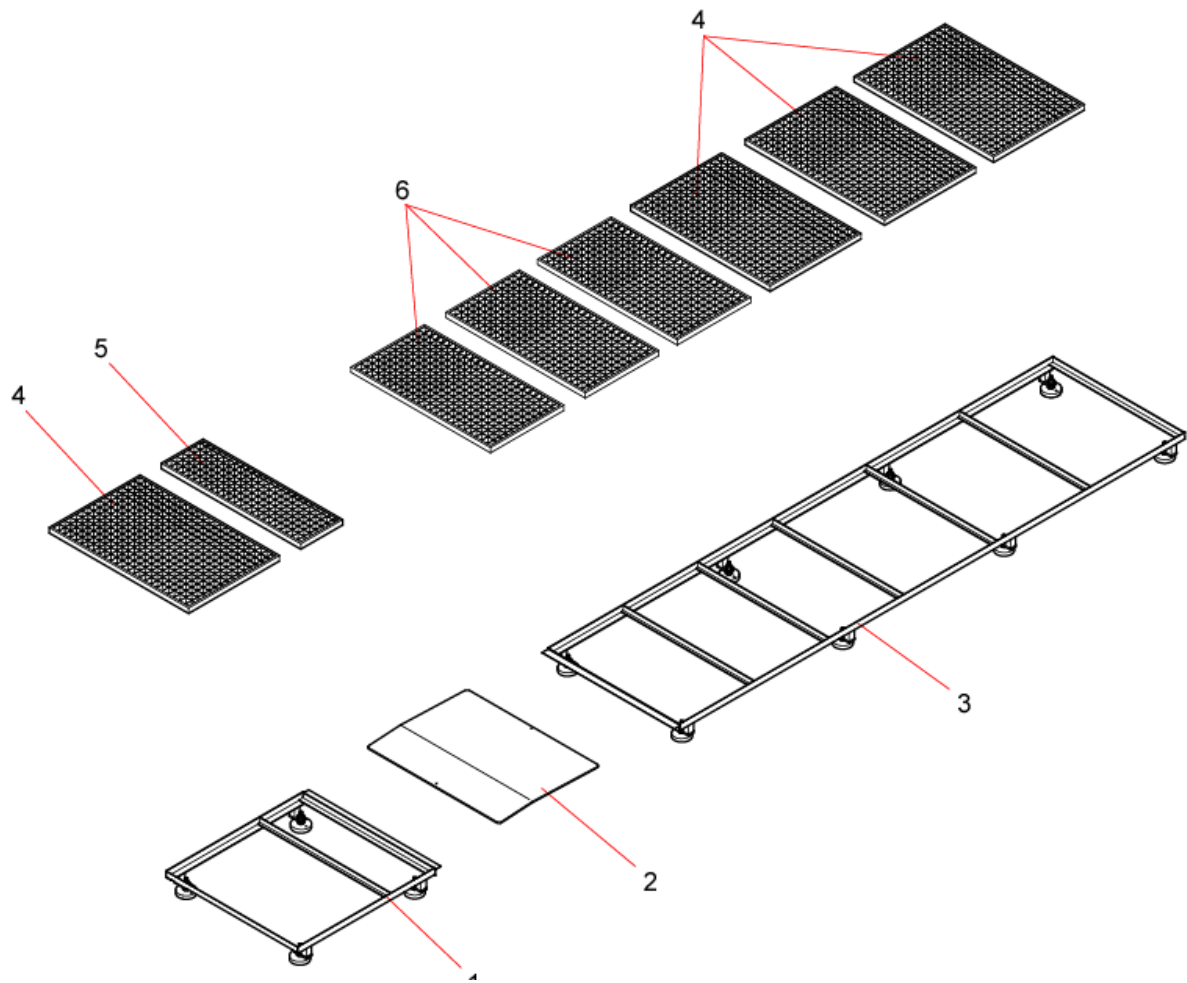
ItemNo.	SparePart	ArticleNumber
1	Base Frame 1187/950	03 08 84130
2	Floor Cover /950 for Axle Jack	03 08 84455
3	Support Rubber	02 08 84030
4	End Plate	02 08 84115
5	Hex Head Cap Screw M12x25	22 0933 12025 1
6	Washer A13	22 0125 12 1
7	Connecting Plate	05 08 84120
8	Hex Nut M12	22 0934 12 1
9	Adjusting Foot	23 1429
10	Hex Nut M16	22 0934 16 1
11	Grating without Frame	14 6075 1

5.11 Grating with Floor Cover 4.8m / 950



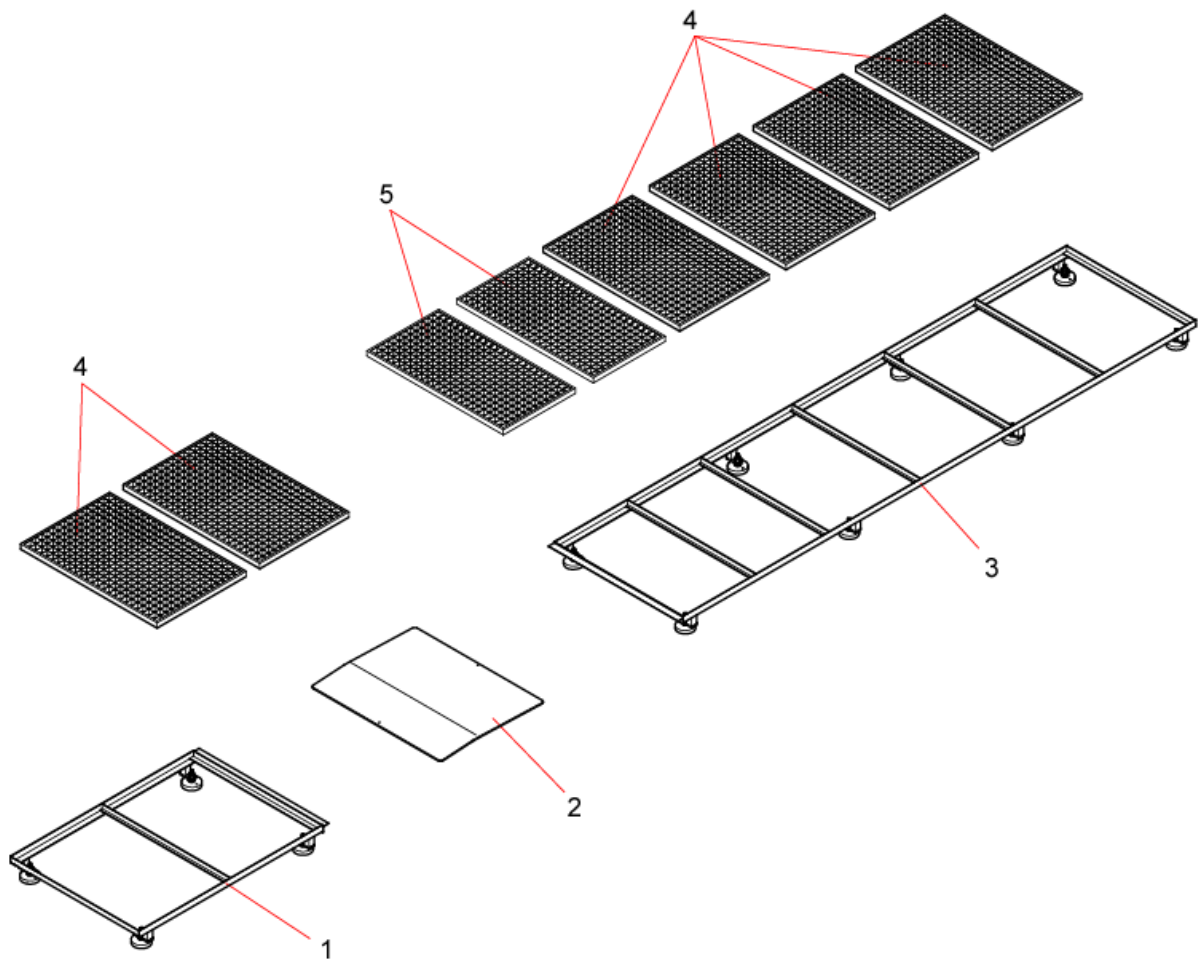
ItemNo.	SparePart	ArticleNumber
1	Base Frame 1977/950	03 08 84120
2	End Plate	02 08 84115
3	Hex Head Cap Screw M12x25	22 0933 12025 1
4	Washer A13	22 0125 12 1
5	Hex Nut M12	22 0937 12 1
6	Connecting Plate	05 08 84120
7	Adjusting Foot	23 1429
8	Hex Nut M16	22 0934 16 1
9	Grating without Frame	14 6075 1
10	Floor Cover /950 for Axle Jack	03 08 84455
11	Support Rubber	02 08 84055

5.12 Grating 4.0m without PMS



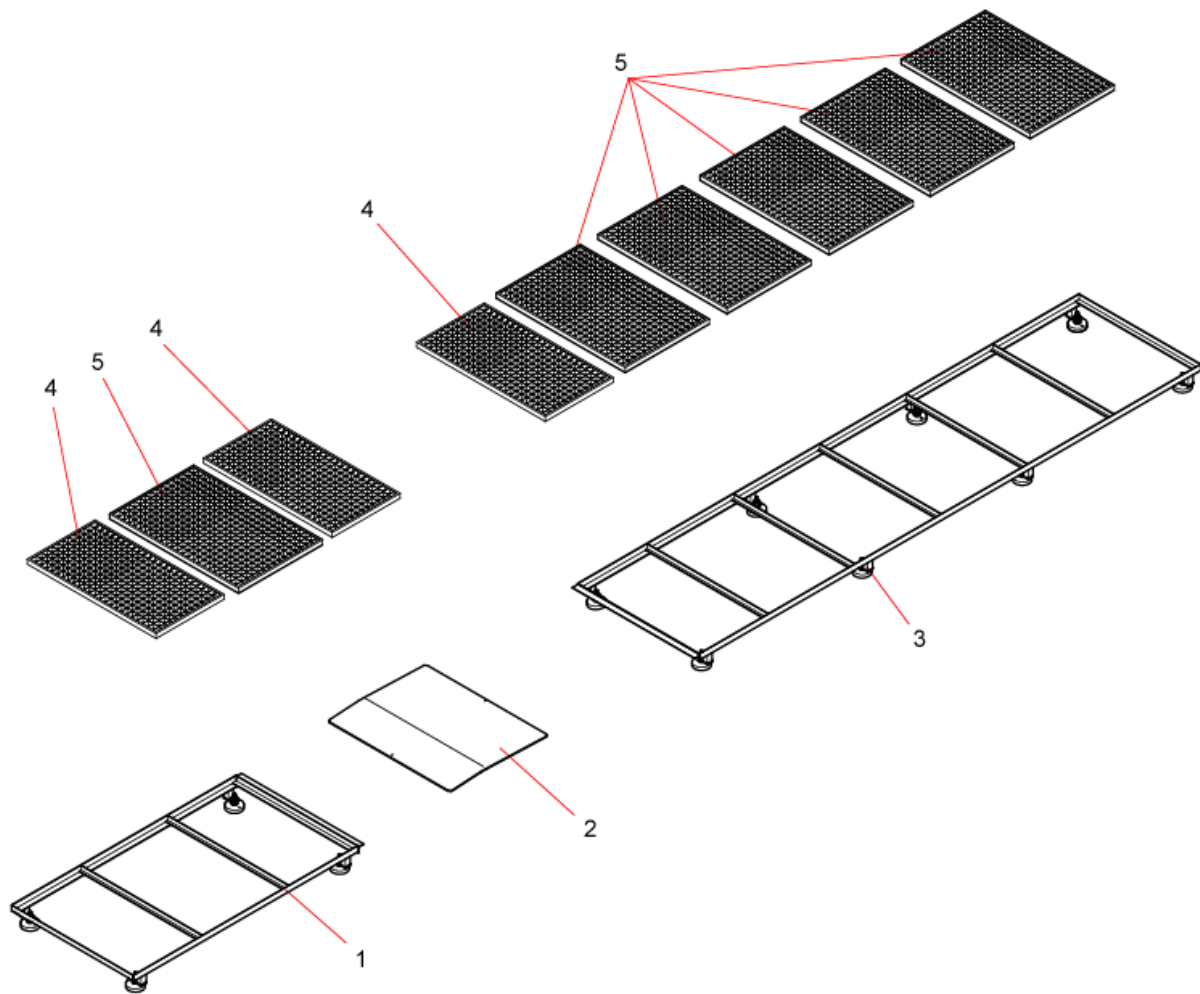
ItemNo.	SparePart	ArticleNumber
1	Grating Frame short	03 08 84650
2	Cover	02 08 84640
3	Grating Frame long	03 08 84640
4	Grating without Frame 495mm	14 6075 3
5	Grating without Frame 225mm	14 6075 2
6	Grating without Frame 395mm	14 6075 1

5.13 Grating 4.4m without PMS



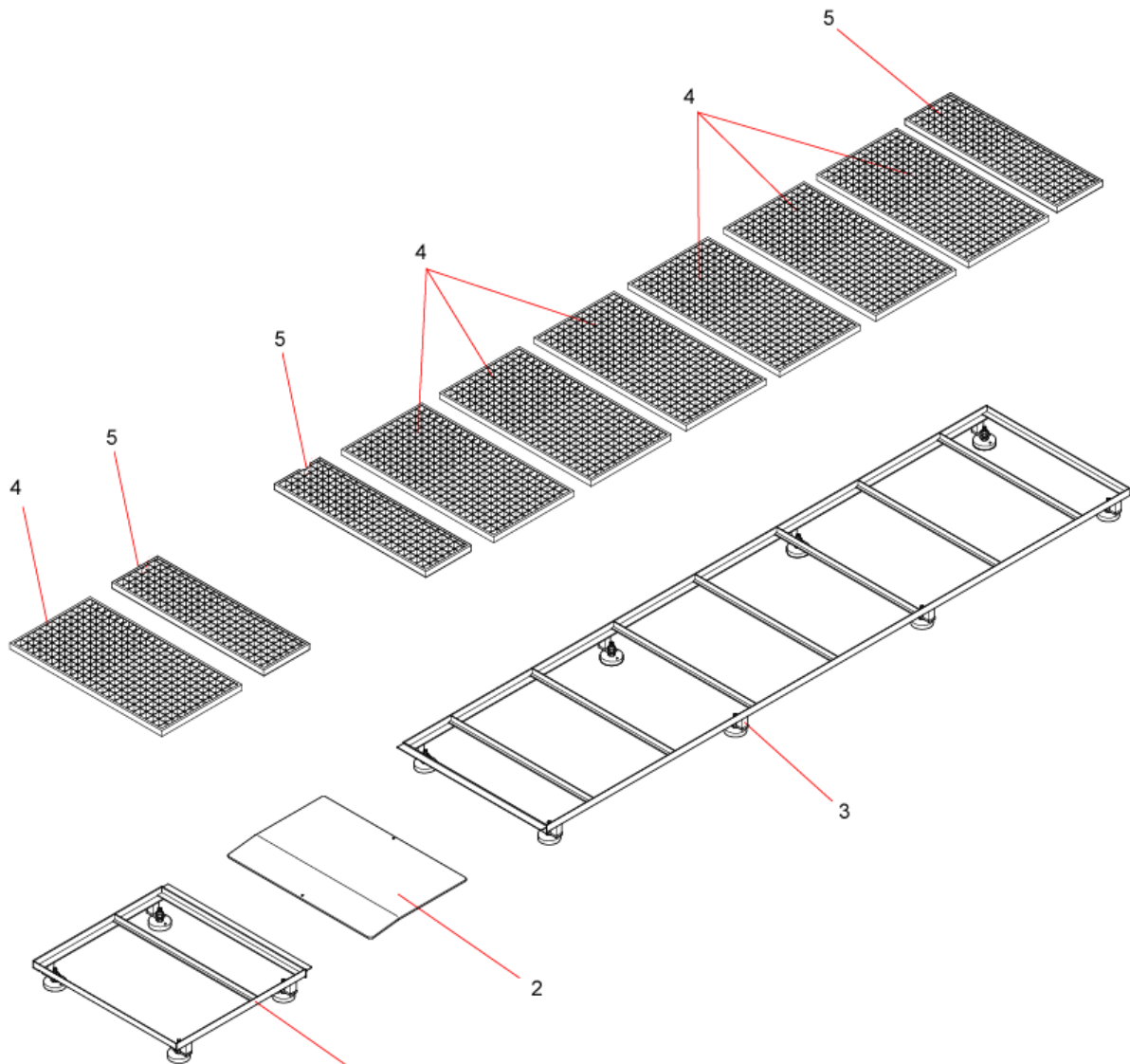
ItemNo.	SparePart	ArticleNumber
1	Grating Frame short	03 08 84660
2	Cover	02 08 84720
3	Grating Frame long	03 08 84670
4	Grating without Frame 495mm	14 6075 3
5	Grating without Frame 395mm	14 6075 1

5.14 Grating 4.8m without PMS



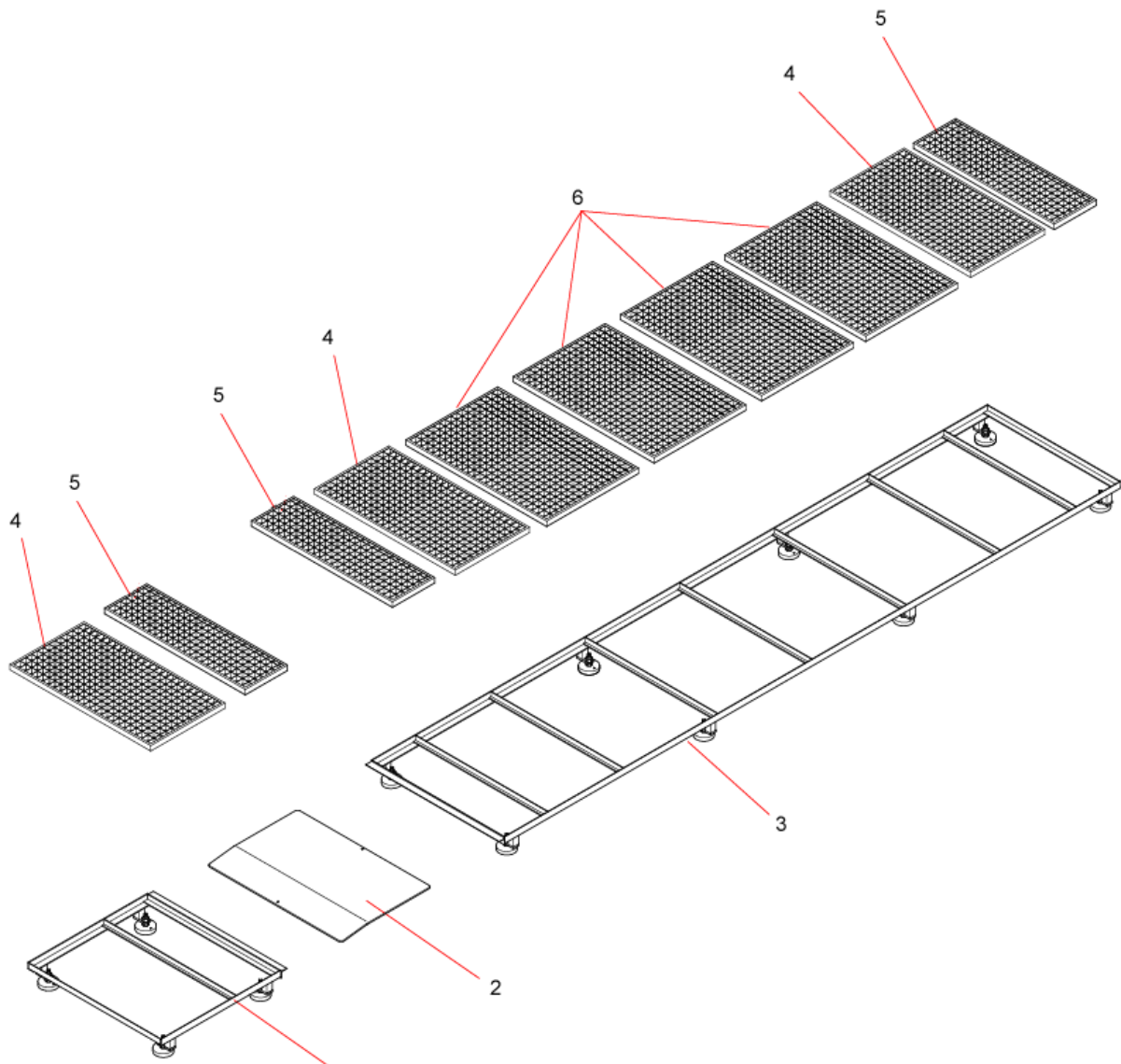
ItemNo.	SparePart	ArticleNumber
1	Grating Frame short	03 08 84680
2	Cover	02 08 84720
3	Grating Frame long	03 08 84690
4	Grating without Frame 395mm	14 6075 1
5	Grating without Frame 495mm	14 6075 3

5.15 Grating 4.0m with PMS



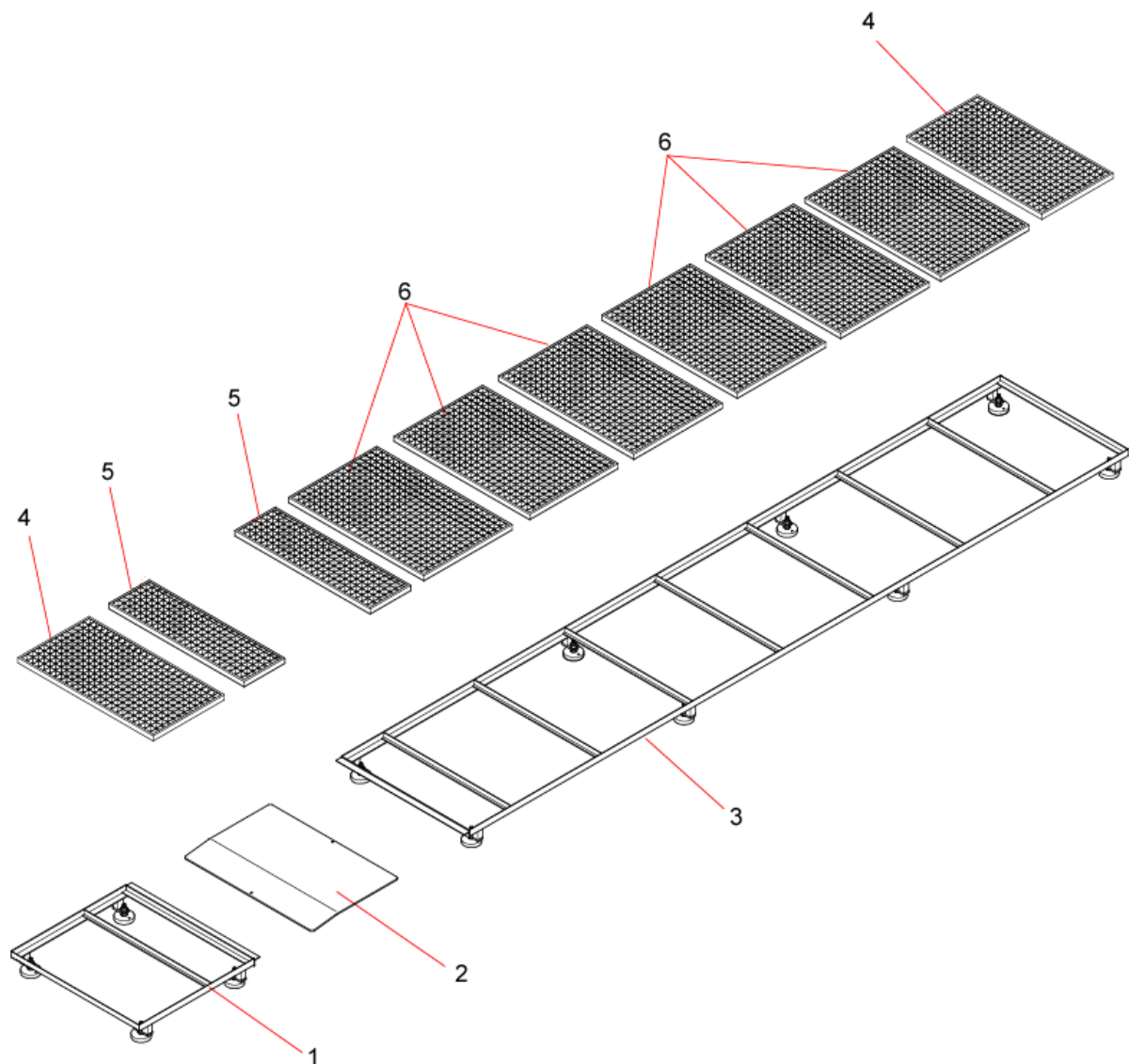
ItemNo.	SparePart	ArticleNumber
1	Grating Frame short	03 08 84610
2	Cover	02 08 84650
3	Grating Frame long	03 08 84620
4	Grating without Frame 395mm	14 6075 1
5	Grating without Frame 225mm	14 6075 2

5.16 Grating 4.4m with PMS



ItemNo.	SparePart	ArticleNumber
1	Grating Frame short	03 08 84610
2	Cover	02 08 84650
3	Grating Frame long	03 08 84770
4	Grating without Frame 395mm	14 6075 1
5	Grating without Frame 225mm	14 6075 2
6	Grating without Frame 495mm	14 6075 3

5.17 Grating 4.8m with PMS



ItemNo.	SparePart	ArticleNumber
1	Grating Frame short	03 08 84610
2	Cover	02 08 84780
3	Grating Frame long	03 08 84785
4	Grating without Frame 395mm	14 6075 1
5	Grating without Frame 225mm	14 6075 2
6	Grating without Frame 495mm	14 6075 3